

# Problem report for:

## EmeryCubic[SHRP,YEXT,wght].ttf

sha1: d52696cc9afe8238ddc9ec2b9c64e6fa7c27fc85

Family name: Emery Cubic

Version: Version 1.000

### Parameters:

Error tolerance: 0.95

Kink-reporting aggressiveness: 0.5

### Legend:

- ▶ Contour start point and direction
  - Contour start point when the first two points overlap
  - ▶ Contour start point in contours with wrong direction
  - Suggested new contour start point
  - Point causing kink in the contour
  - Kink artifact
  - Colored contours: contours with the wrong order
  - Underweight contours
- Tolerance: badness; closer to zero the worse

# Summary of problems

## contour\_order: 1

quotedblleft

## wrong\_start\_point: 11

f\_f\_l

f\_l

onehalf

two

two.inferior

two.onum

two.superior

uni2154

uni2156

z

z.ss01

## underweight: 2

onehalf

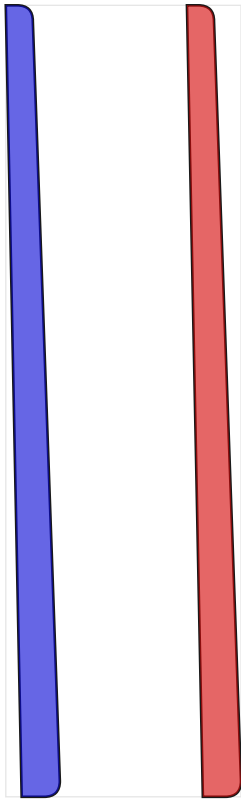
uni2154

# Glyph name: quotedbleft

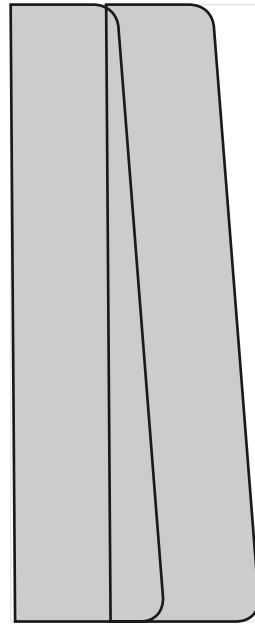
tolerance: 0.90

Problems: contour\_order

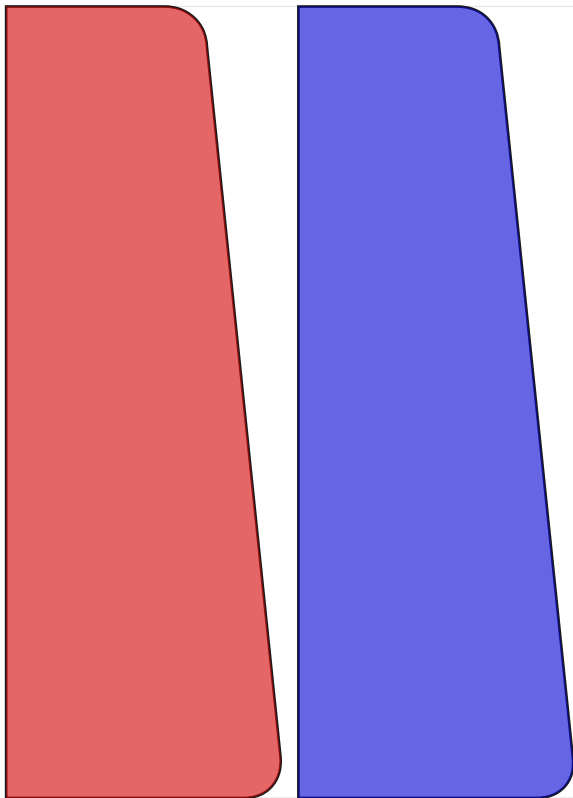
'YEXT=100.0 wght=1.0'



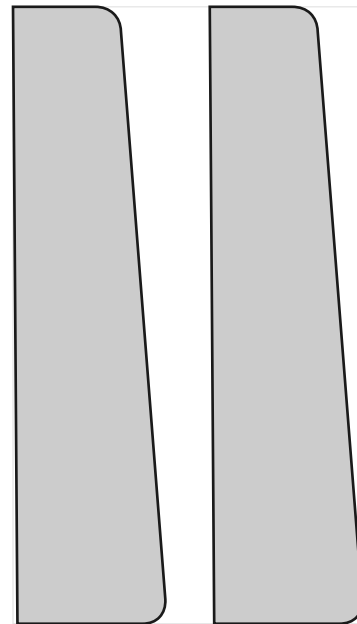
midway interpolation



'YEXT=100.0 wght=1000.0'



proposed fix

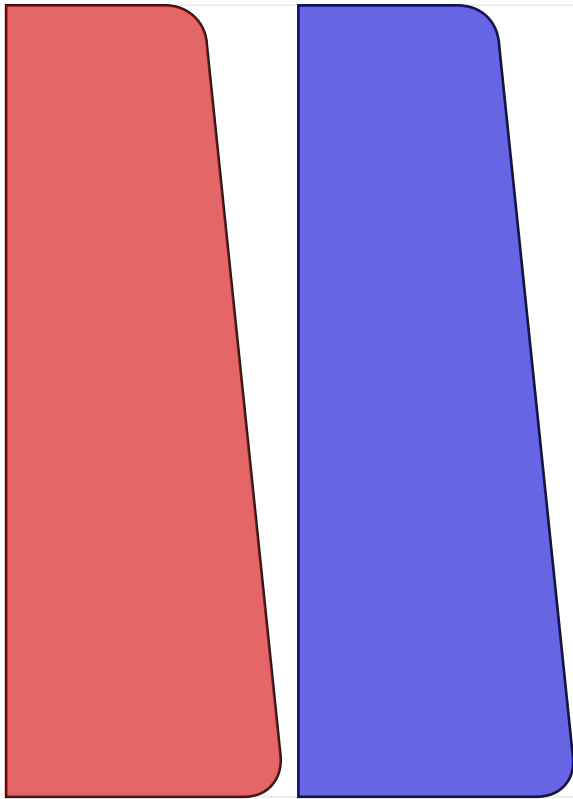


# Glyph name: quotedbleft

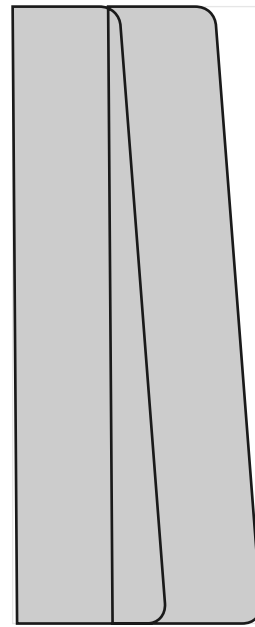
tolerance: 0.90

Problems: contour\_order

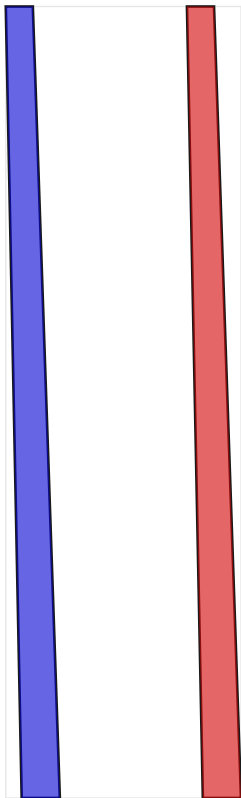
'YEXT=100.0 wght=1000.0'



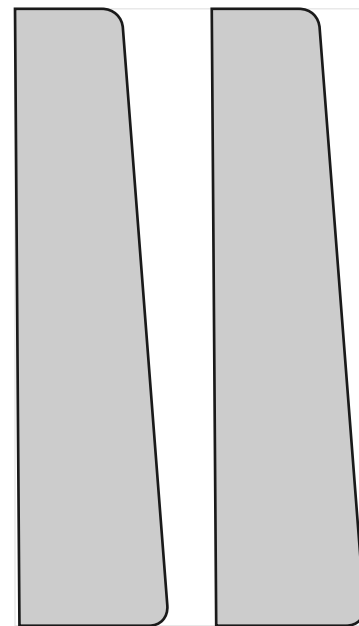
midway interpolation



'SHRP=100.0 YEXT=100.0 wght=1.0'



proposed fix

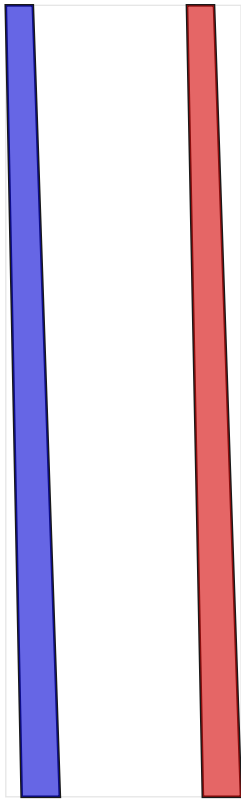


# Glyph name: quotedbleft

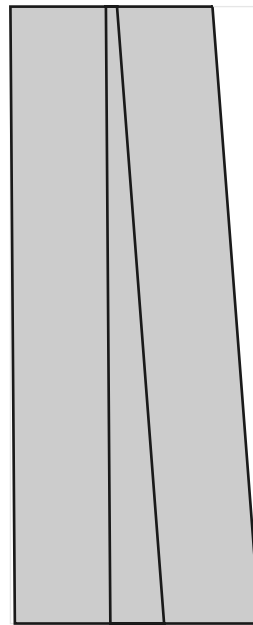
tolerance: 0.90

Problems: contour\_order

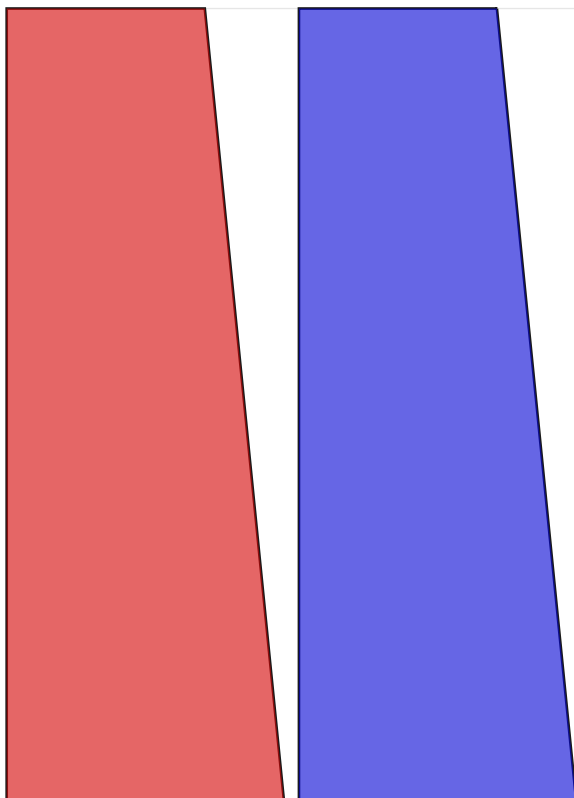
'SHRP=100.0 YEXT=100.0 wght=1.0'



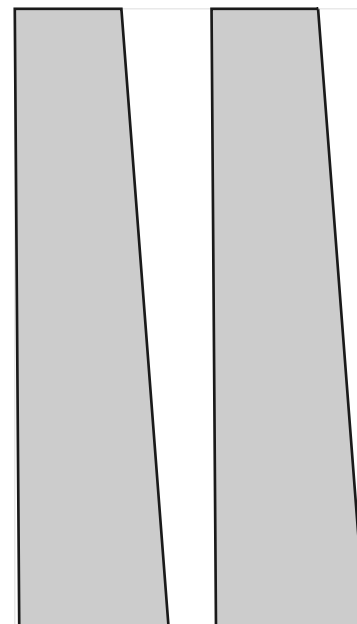
midway interpolation



'SHRP=100.0 YEXT=100.0 wght=1000.0'



proposed fix

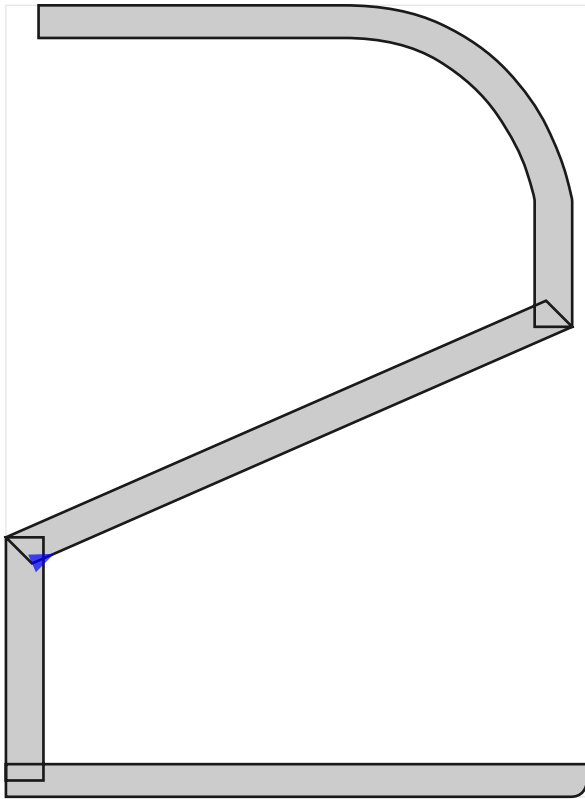


# Glyph name: z

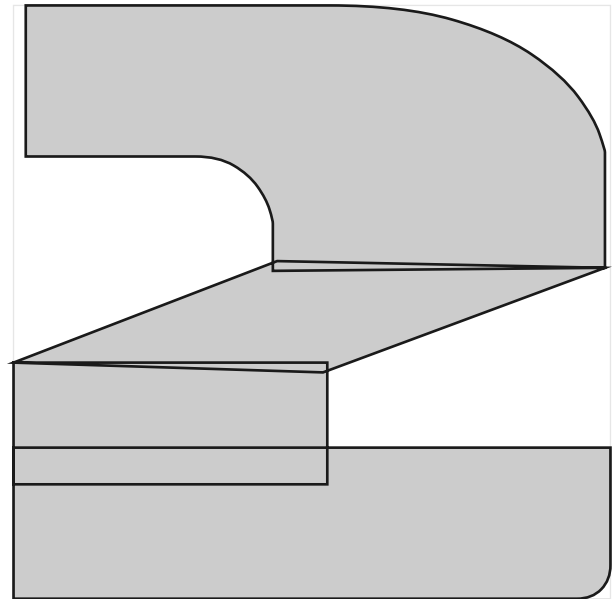
tolerance: 0.46

Problems: wrong\_start\_point

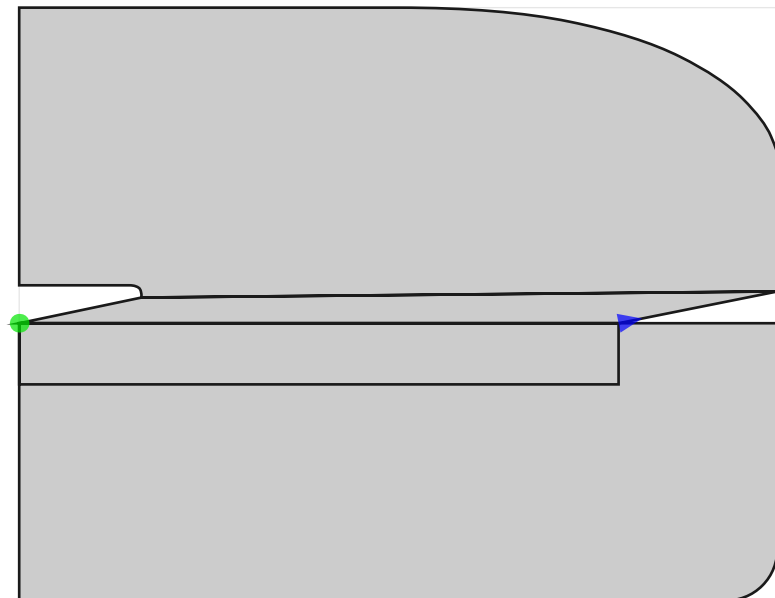
'wght=1.0'



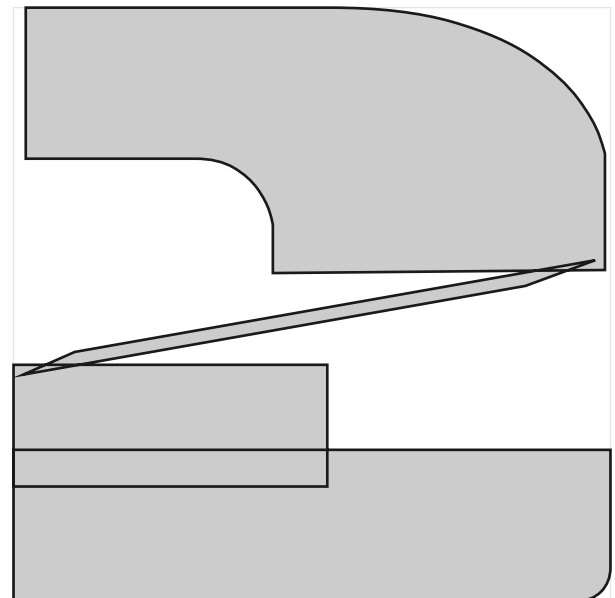
midway interpolation



'wght=1000.0'



proposed fix

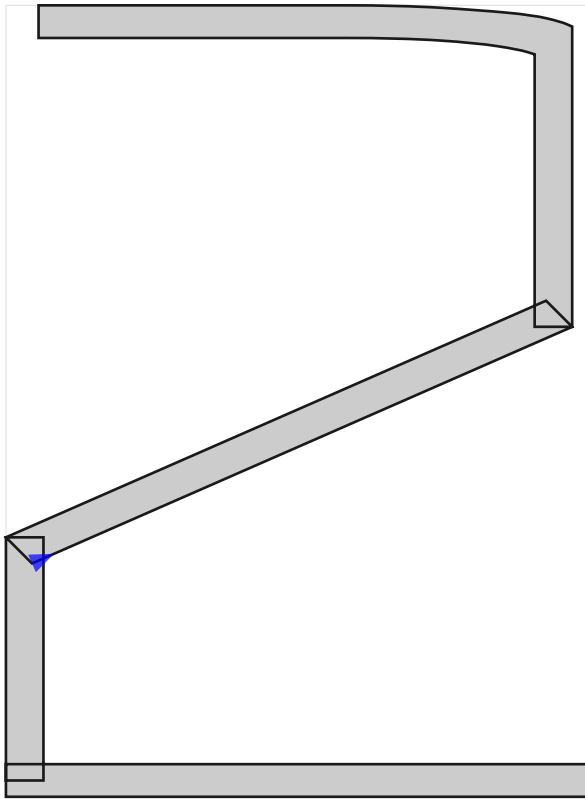


# Glyph name: z

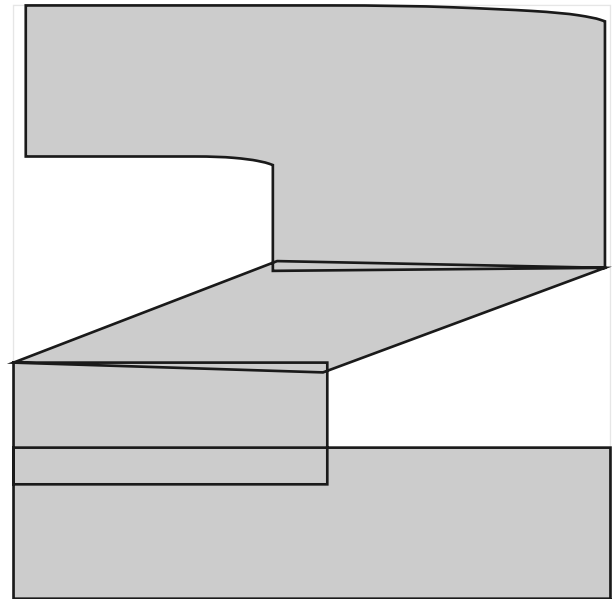
tolerance: 0.46

Problems: wrong\_start\_point

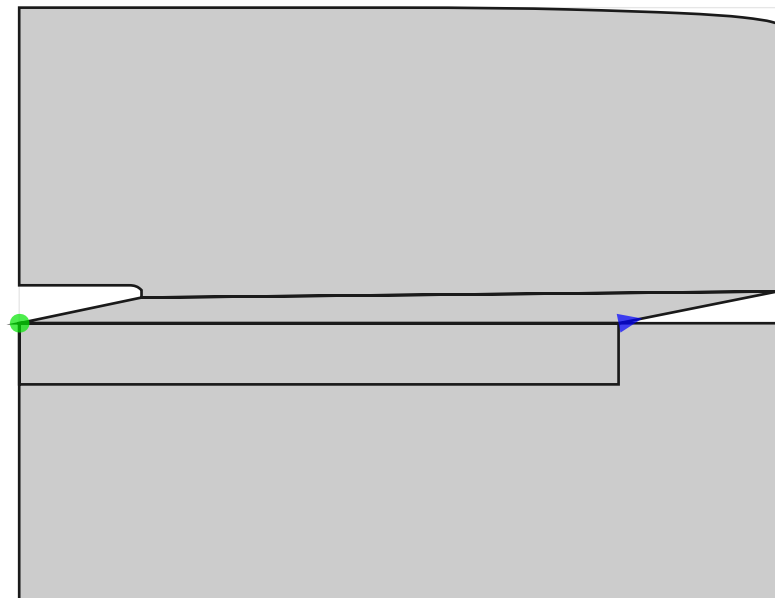
'SHRP=100.0 wght=1.0'



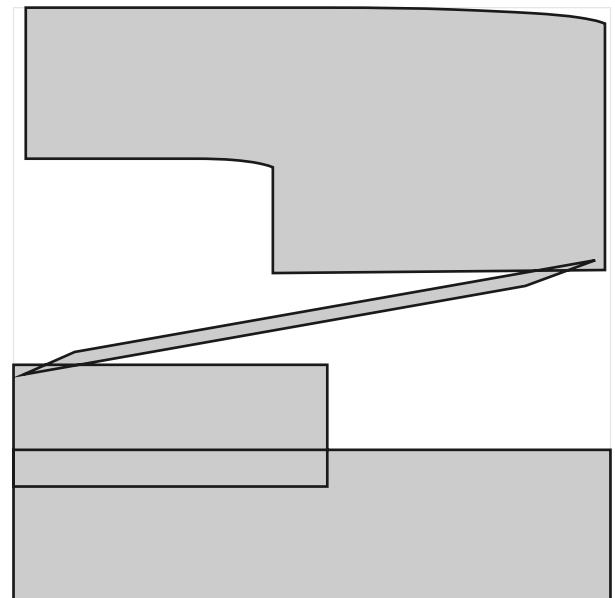
midway interpolation



'SHRP=100.0 wght=1000.0'



proposed fix



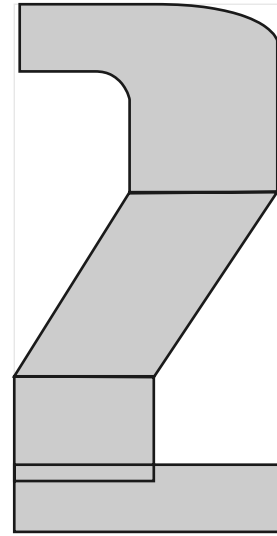
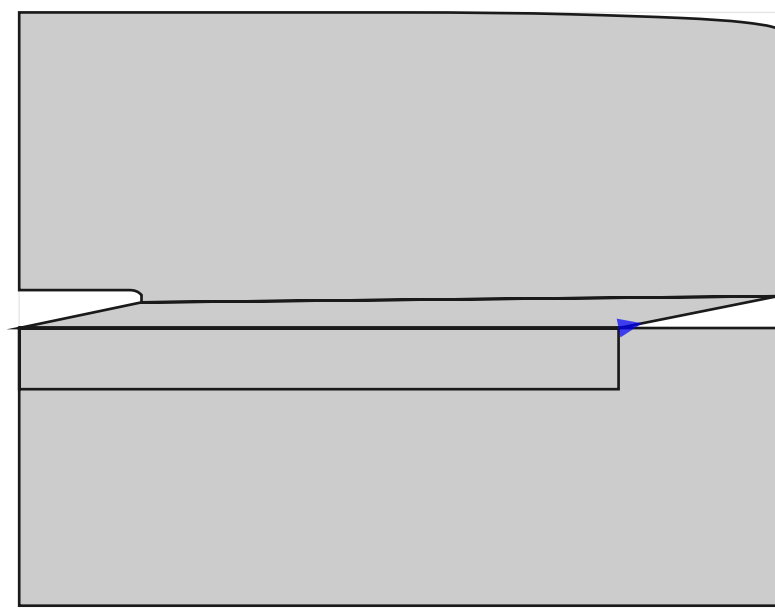
# Glyph name: z

tolerance: 0.76

Problems: wrong\_start\_point

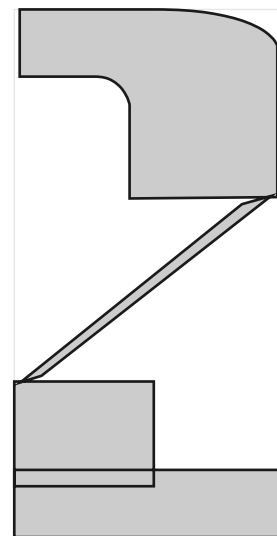
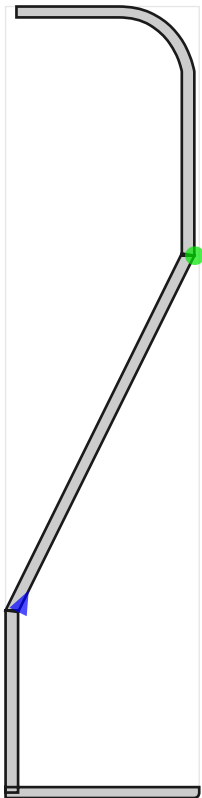
'SHRP=100.0 wght=1000.0'

midway interpolation



'YEXT=100.0 wght=1.0'

proposed fix



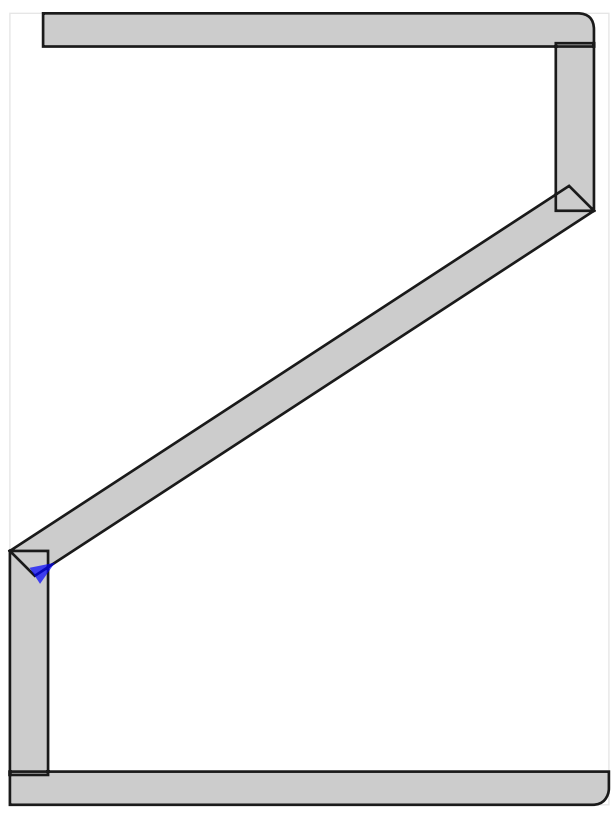


# Glyph name: z.ss01

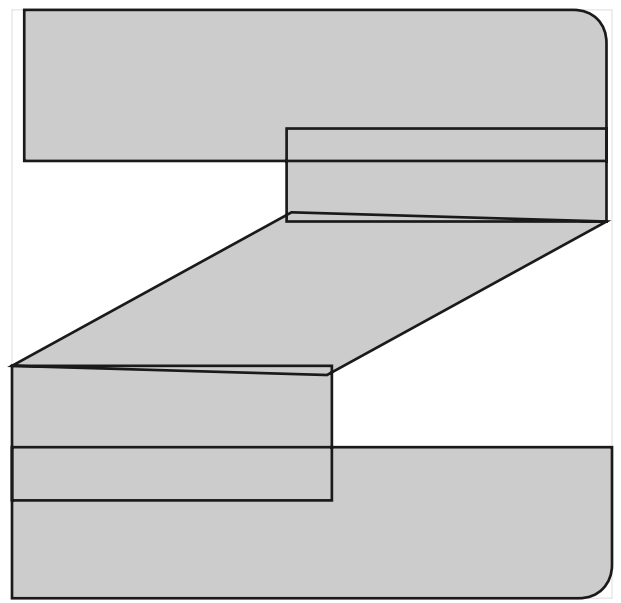
tolerance: 0.48

Problems: wrong\_start\_point

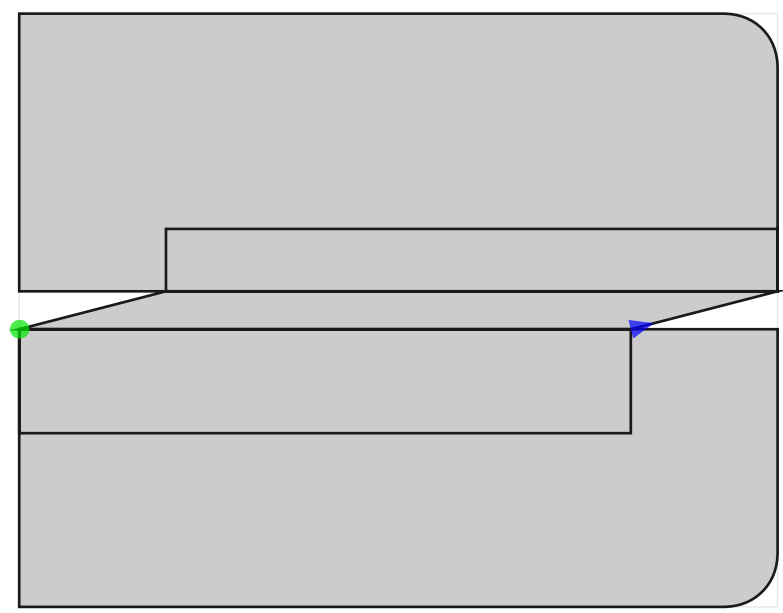
'wght=1.0'



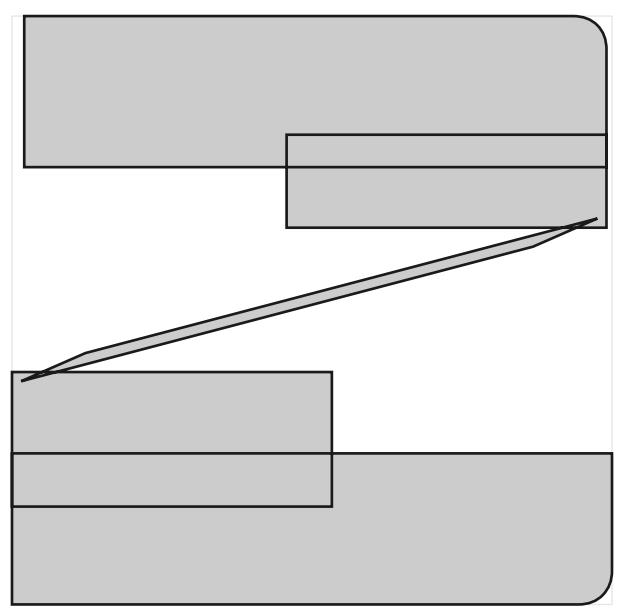
midway interpolation



'wght=1000.0'



proposed fix



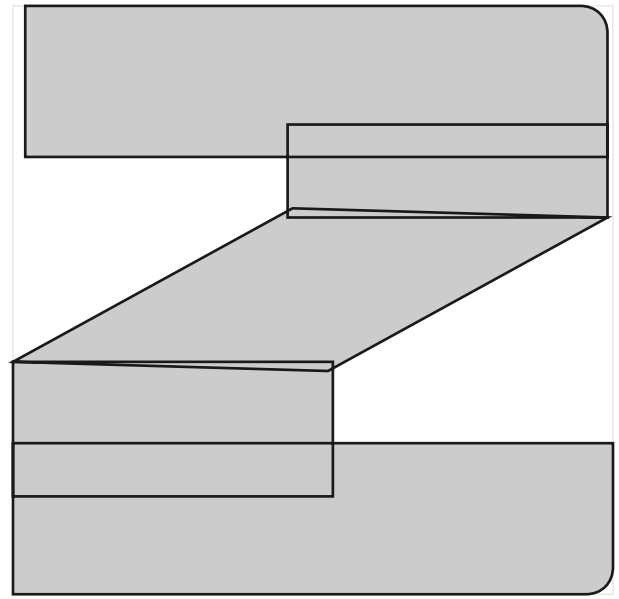
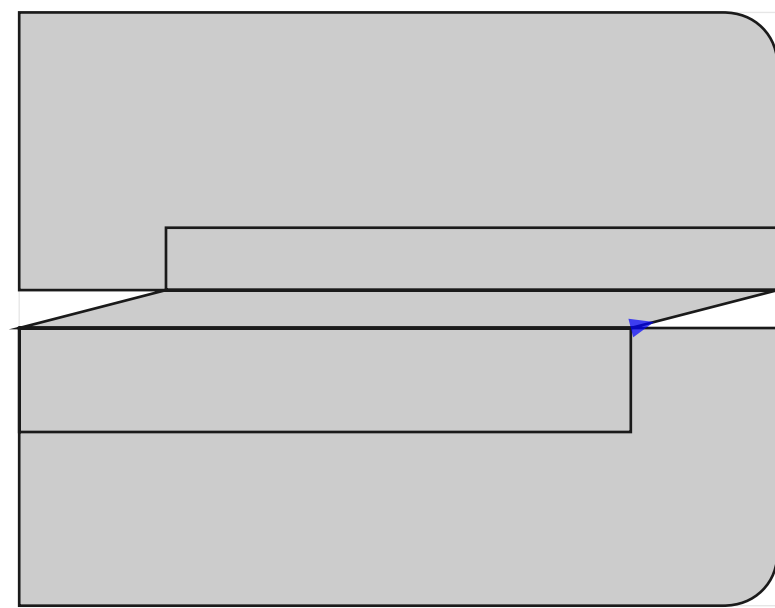
# Glyph name: z.ss01

tolerance: 0.48

Problems: wrong\_start\_point

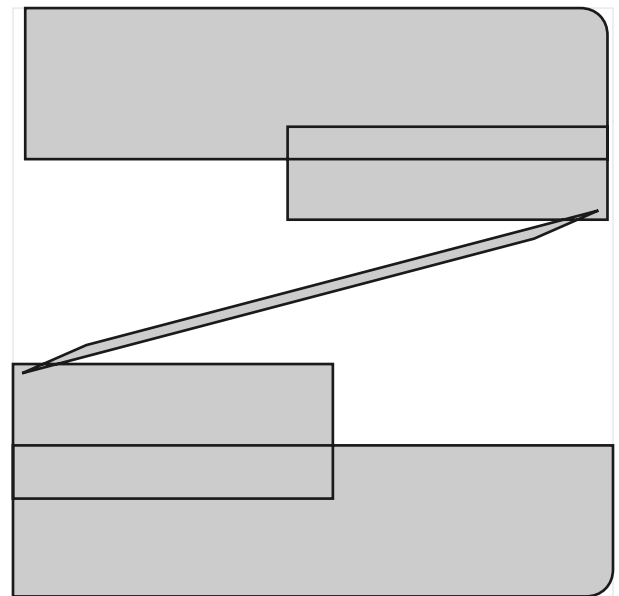
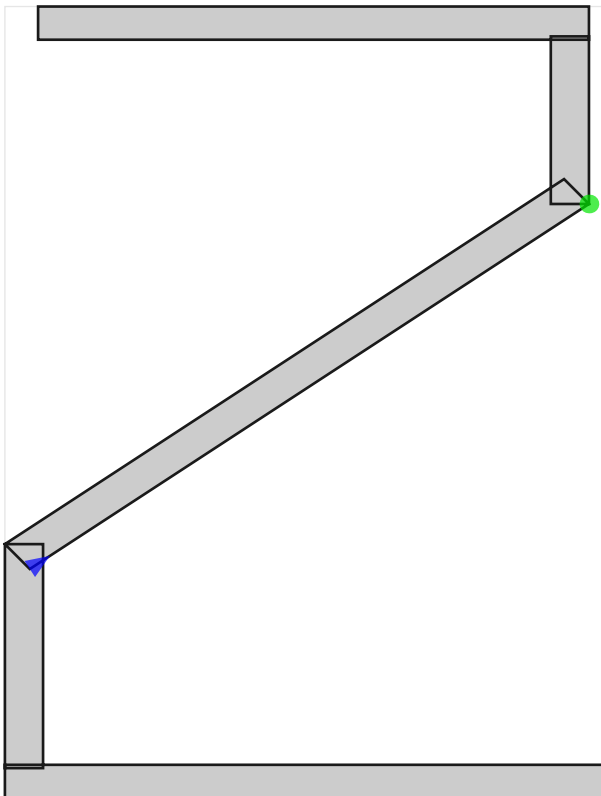
'wght=1000.0'

midway interpolation



'SHRP=100.0 wght=1.0'

proposed fix

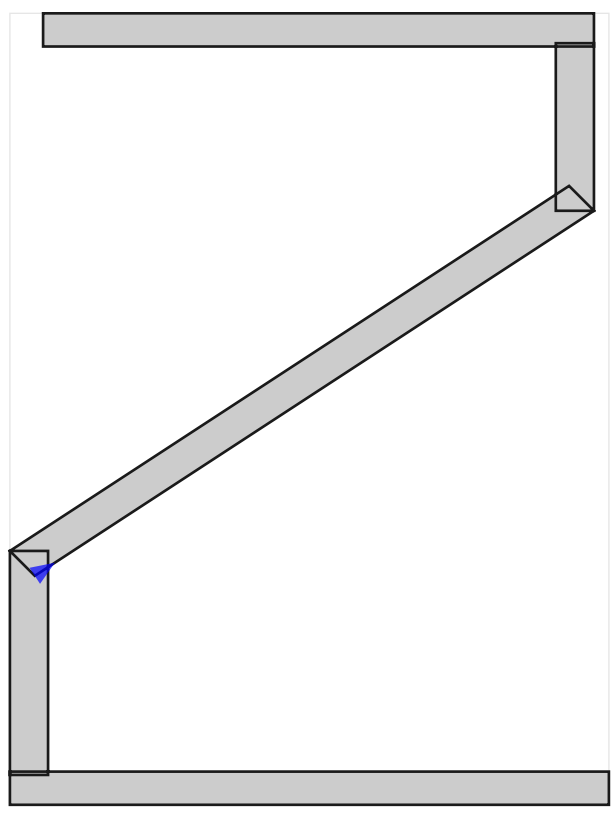


# Glyph name: z.ss01

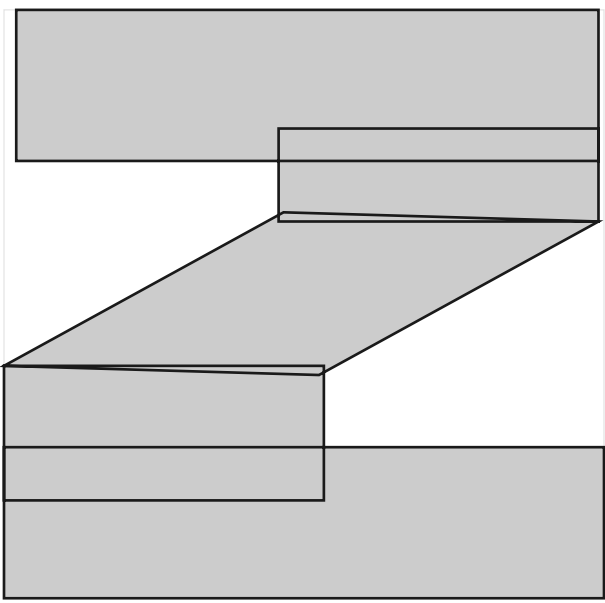
tolerance: 0.48

Problems: wrong\_start\_point

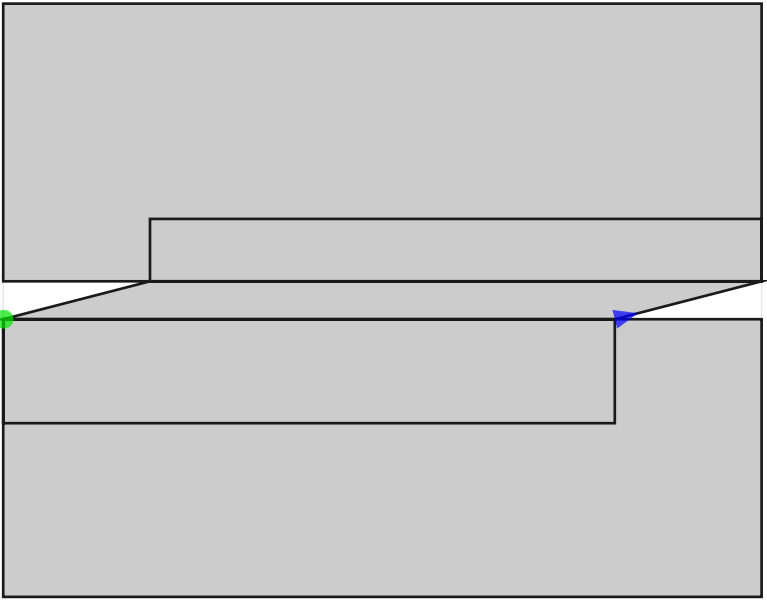
'SHRP=100.0 wght=1.0'



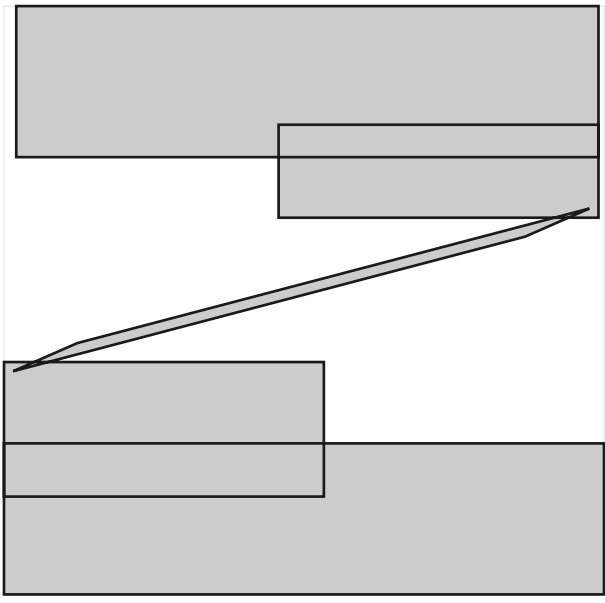
midway interpolation



'SHRP=100.0 wght=1000.0'



proposed fix



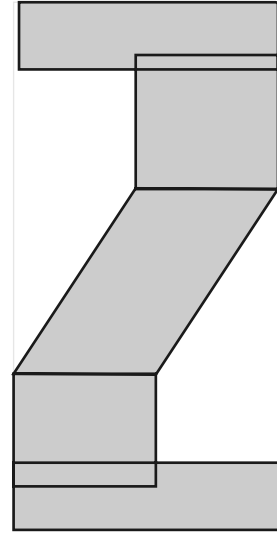
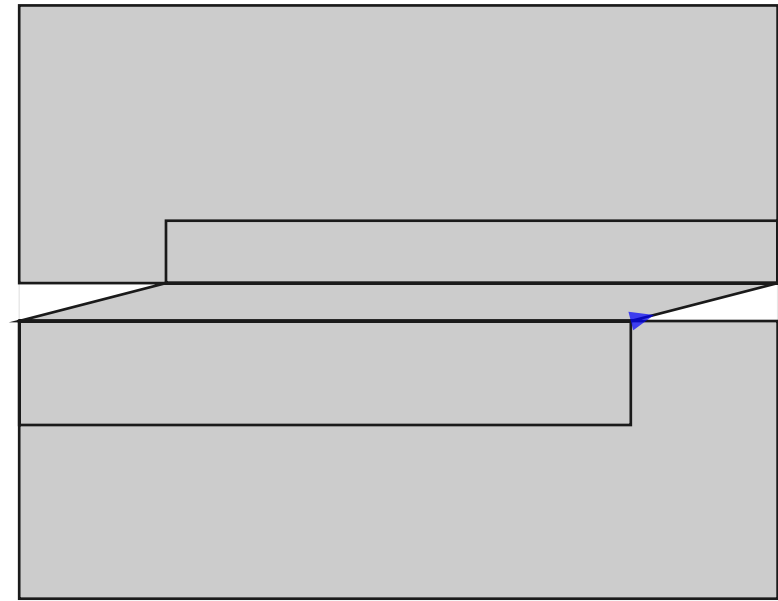
# Glyph name: z.ss01

tolerance: 0.76

Problems: wrong\_start\_point

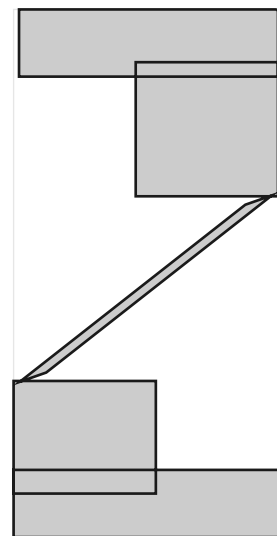
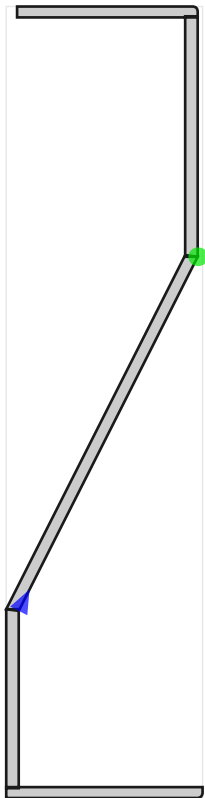
'SHRP=100.0 wght=1000.0'

midway interpolation



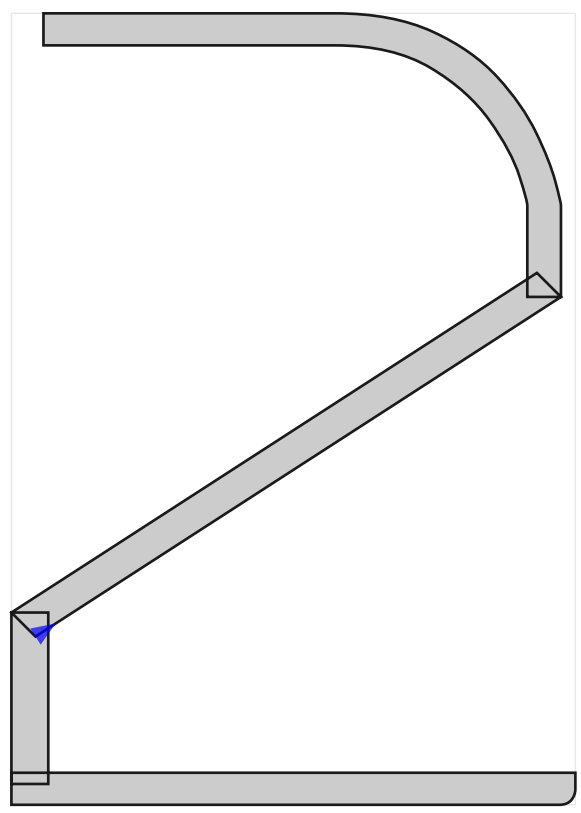
'YEXT=100.0 wght=1.0'

proposed fix

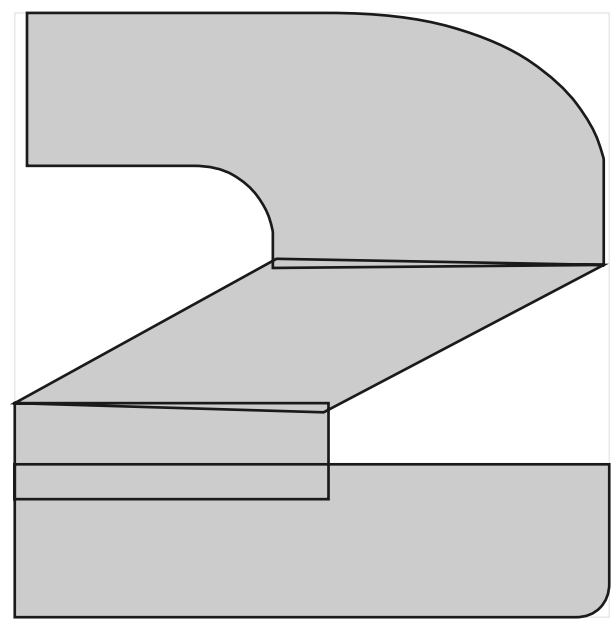


Problems: wrong\_start\_point

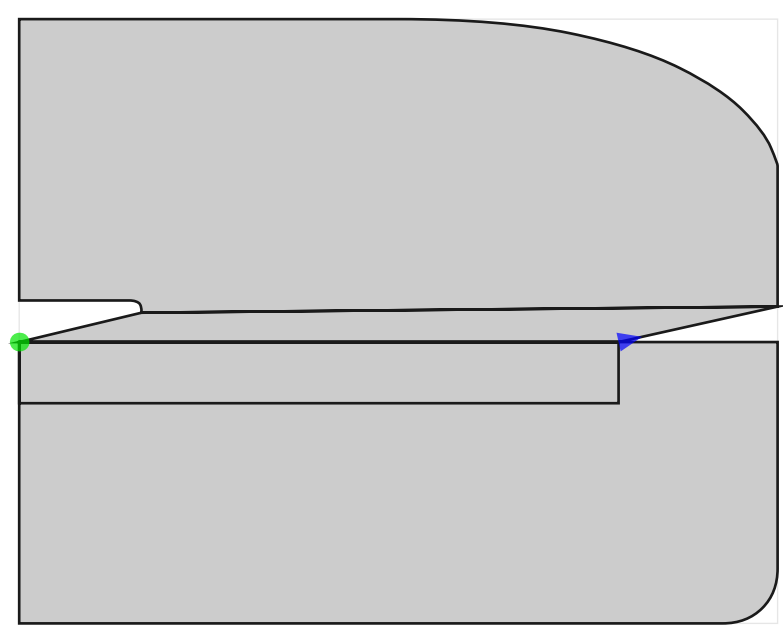
'wght=1.0'



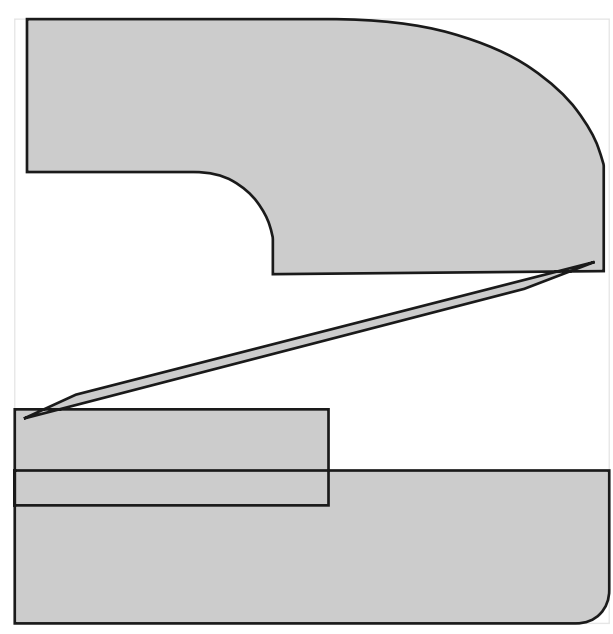
midway interpolation



'wght=1000.0'



proposed fix

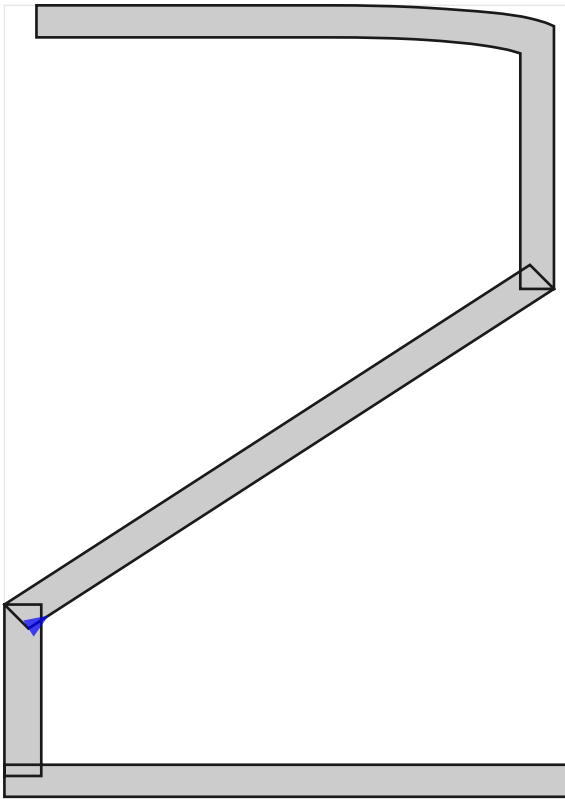


# Glyph name: two.onum

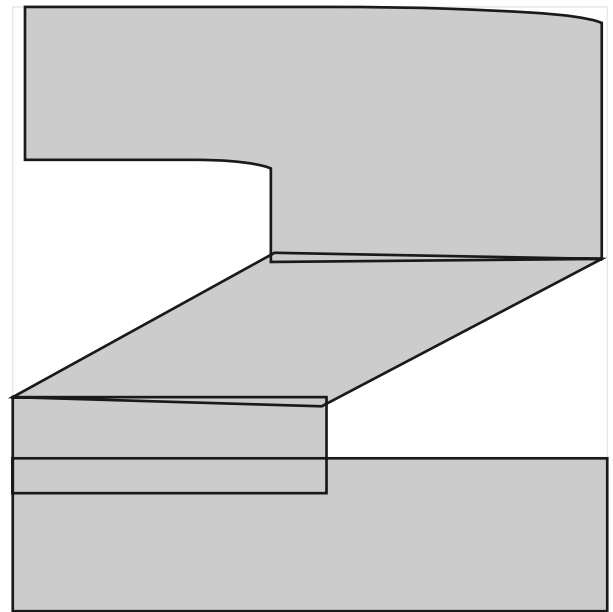
tolerance: 0.50

Problems: wrong\_start\_point

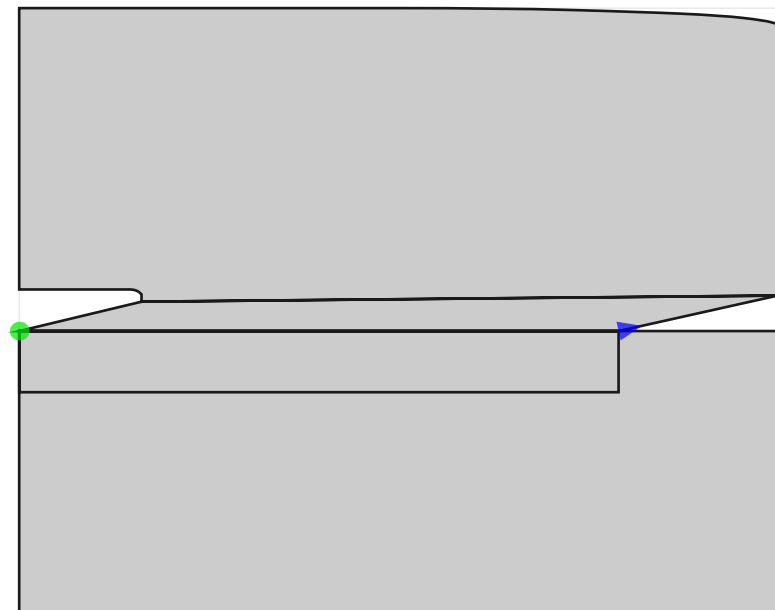
'SHRP=100.0 wght=1.0'



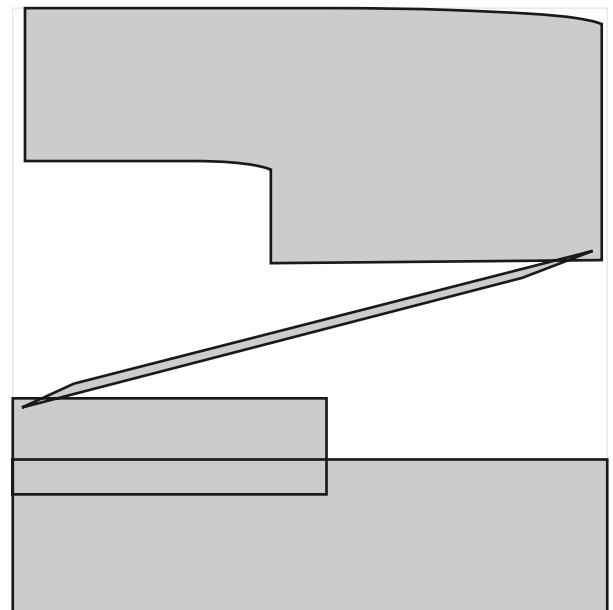
midway interpolation



'SHRP=100.0 wght=1000.0'



proposed fix



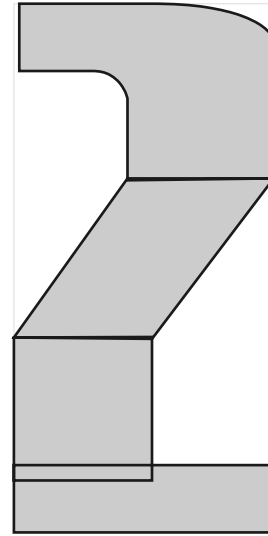
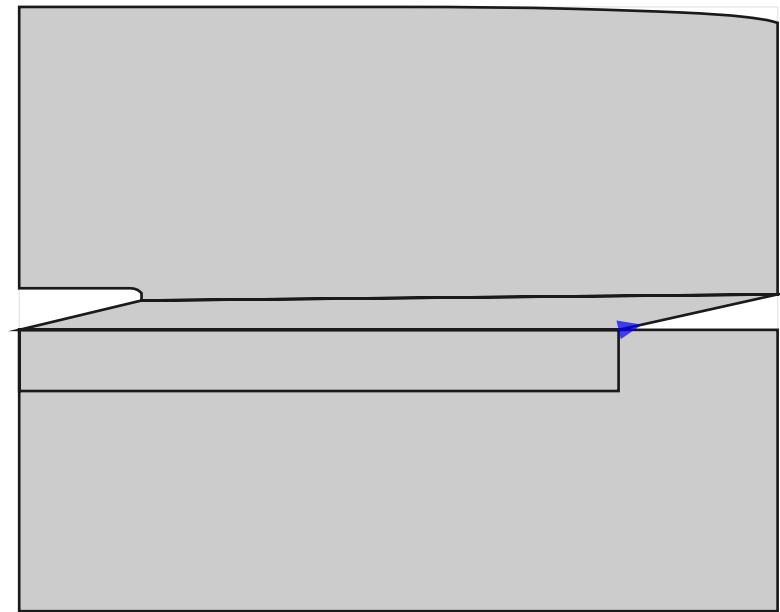
# Glyph name: two.onum

tolerance: 0.72

Problems: wrong\_start\_point

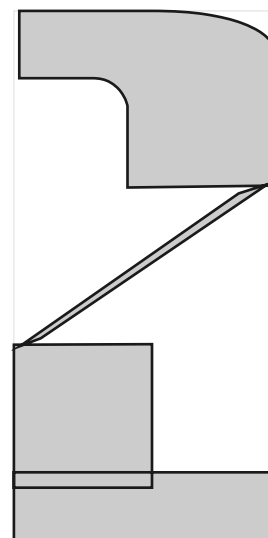
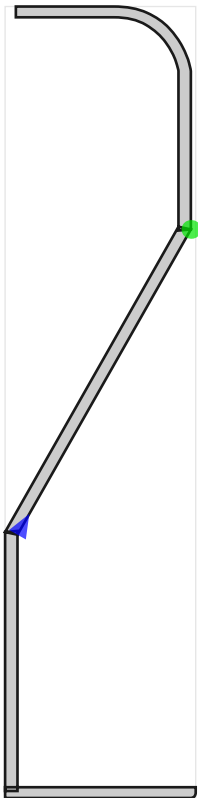
'SHRP=100.0 wght=1000.0'

midway interpolation



'YEXT=100.0 wght=1.0'

proposed fix

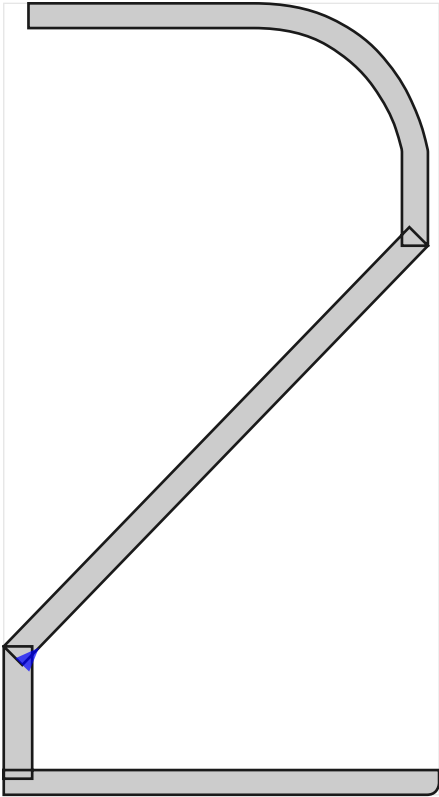


# Glyph name: two

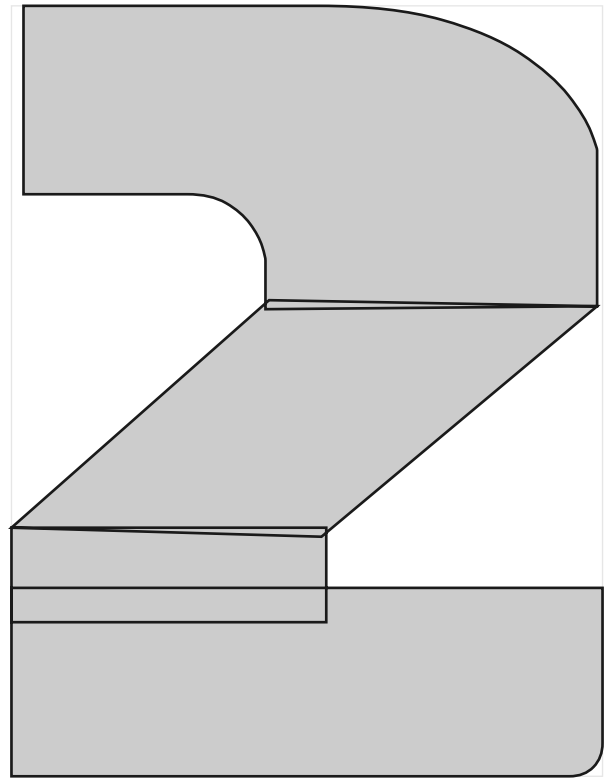
tolerance: 0.58

Problems: wrong\_start\_point

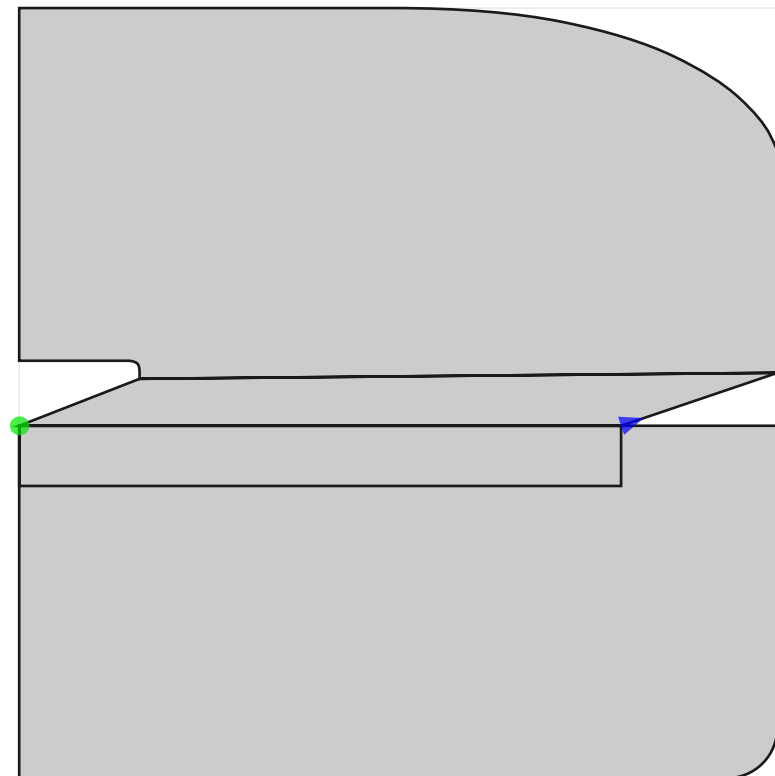
'wght=1.0'



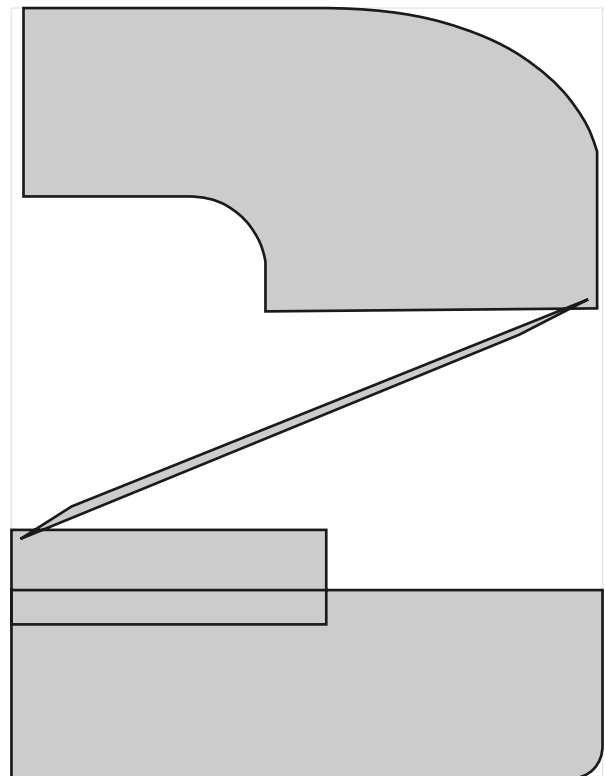
midway interpolation



'wght=1000.0'



proposed fix



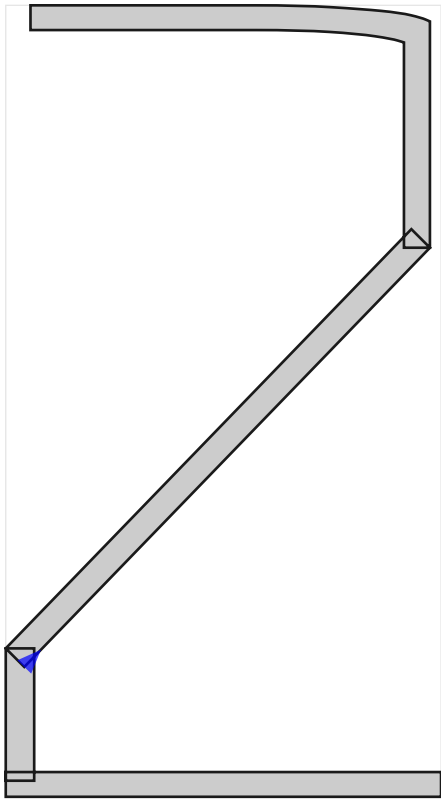


# Glyph name: two

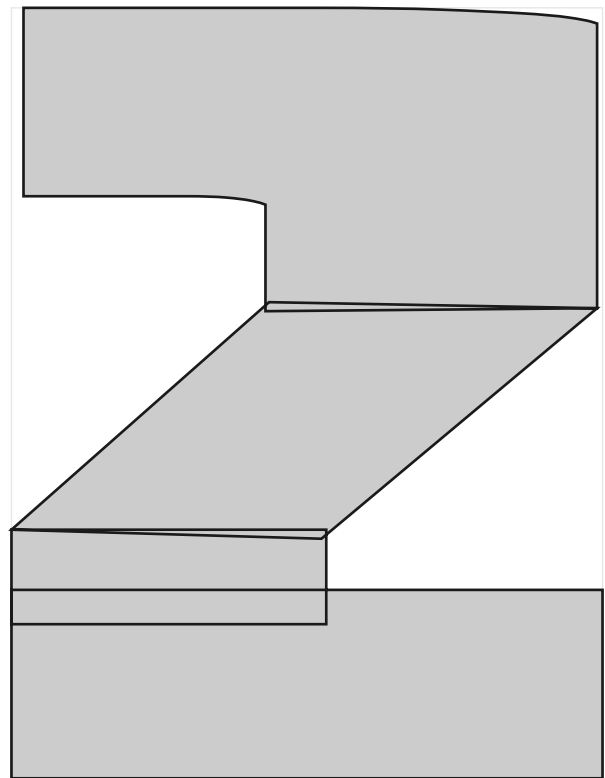
tolerance: 0.58

Problems: wrong\_start\_point

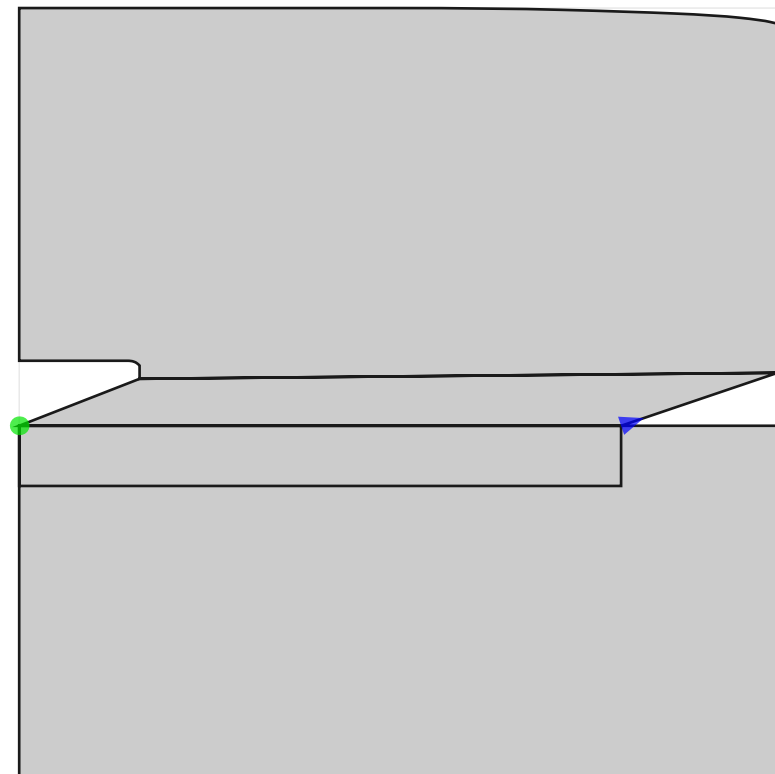
'SHRP=100.0 wght=1.0'



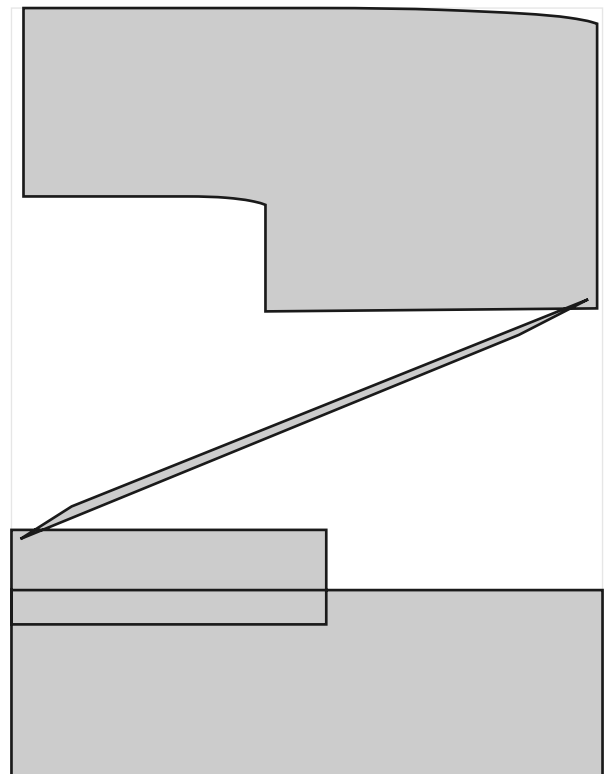
midway interpolation



'SHRP=100.0 wght=1000.0'



proposed fix

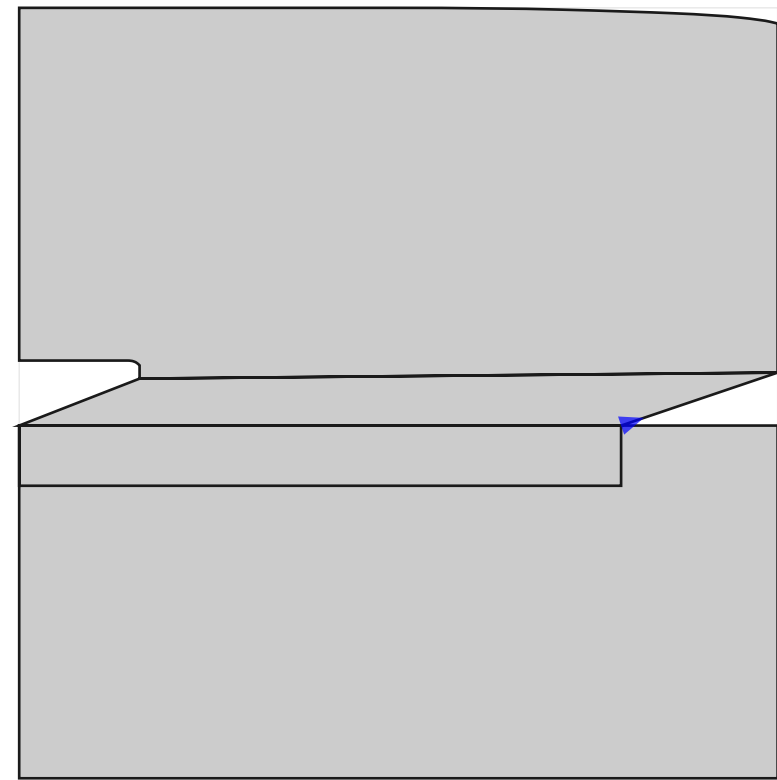


# Glyph name: two

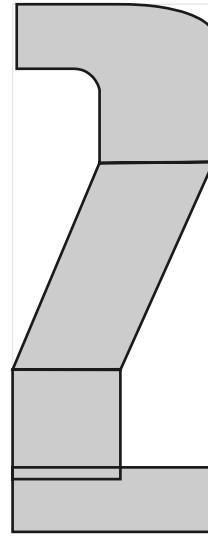
tolerance: 0.87

Problems: wrong\_start\_point

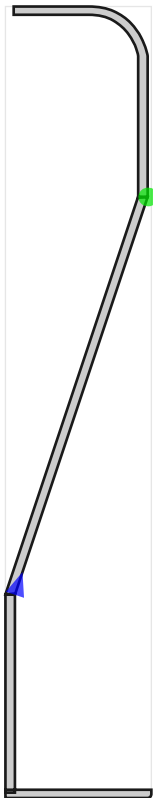
'SHRP=100.0 wght=1000.0'



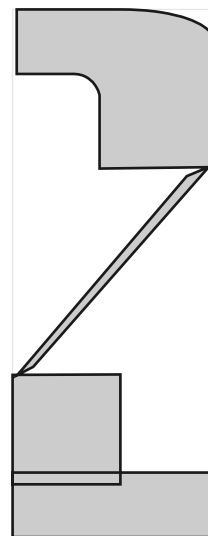
midway interpolation



'YEXT=100.0 wght=1.0'



proposed fix

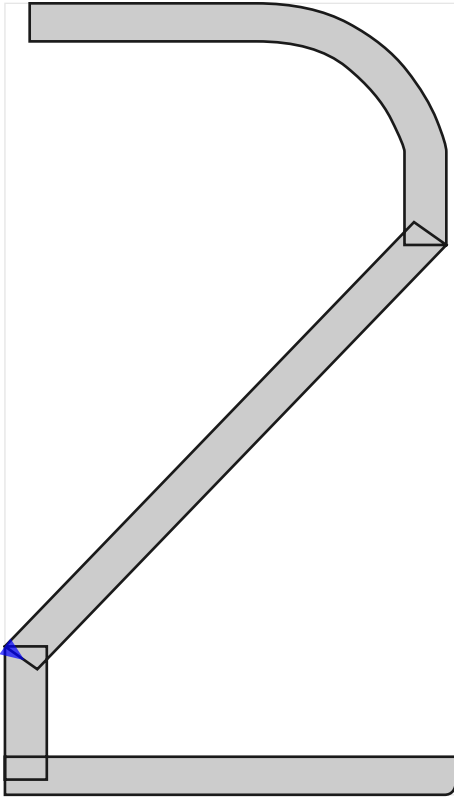


# Glyph name: two.inferior

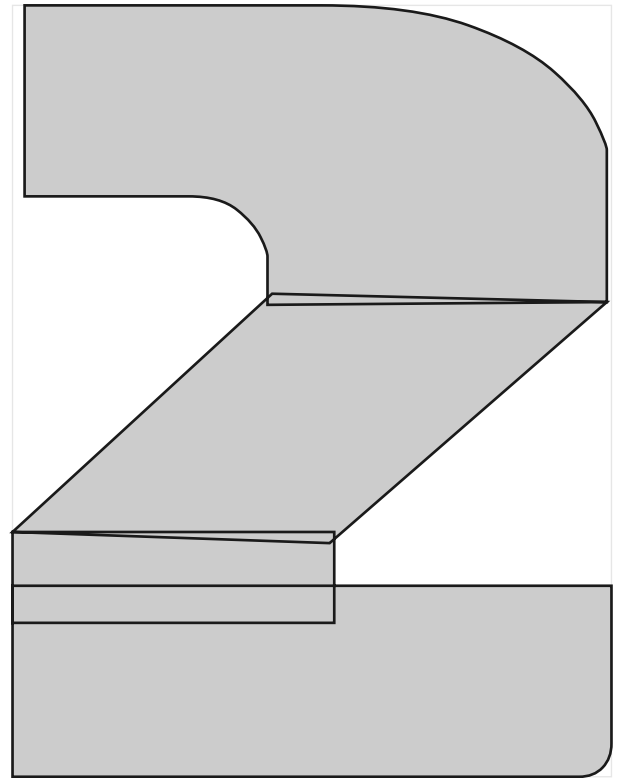
tolerance: 0.62

Problems: wrong\_start\_point

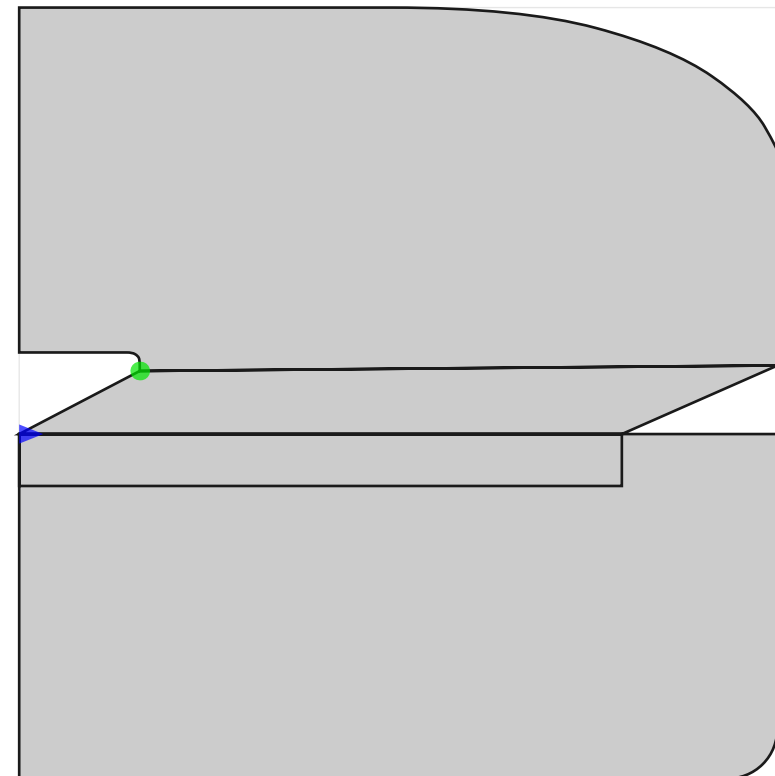
'wght=1.0'



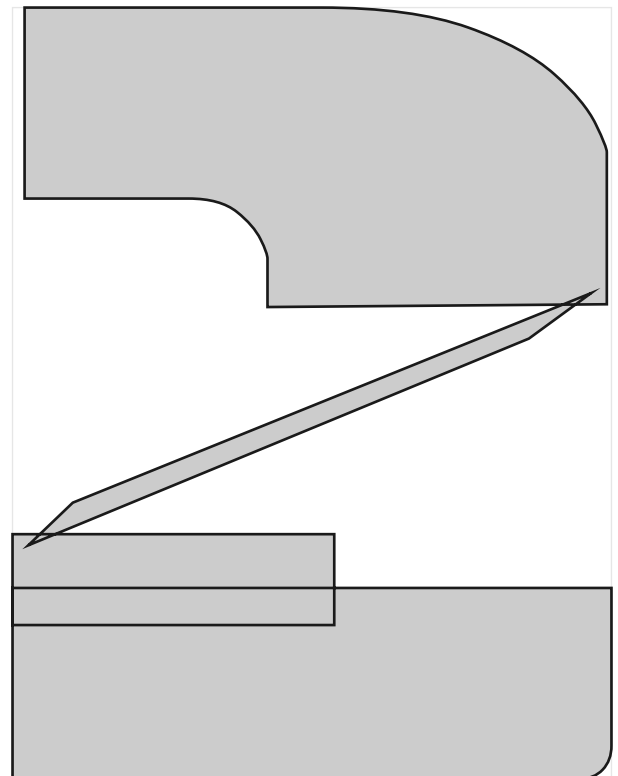
midway interpolation



'wght=1000.0'



proposed fix

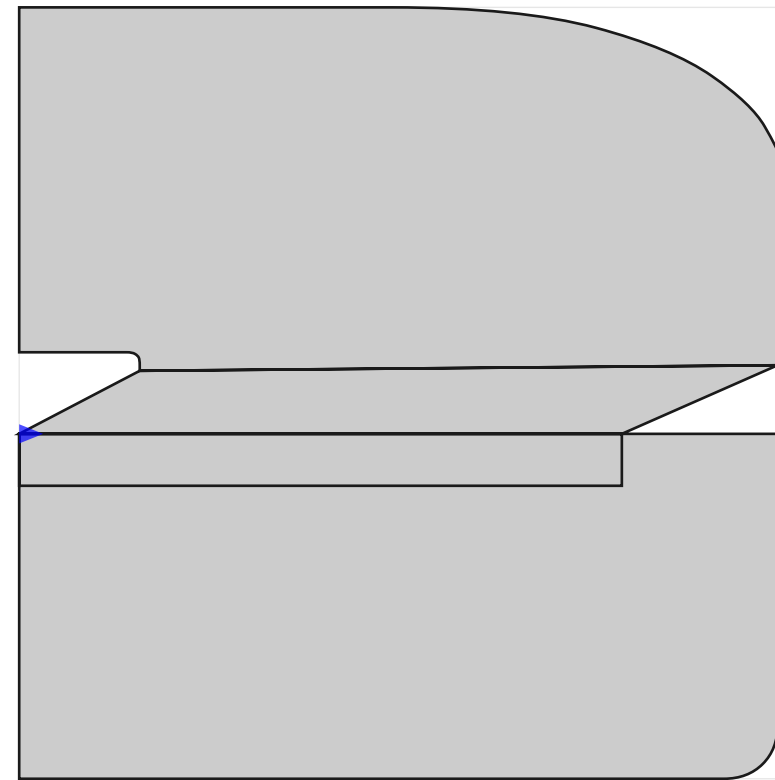


# Glyph name: two.inferior

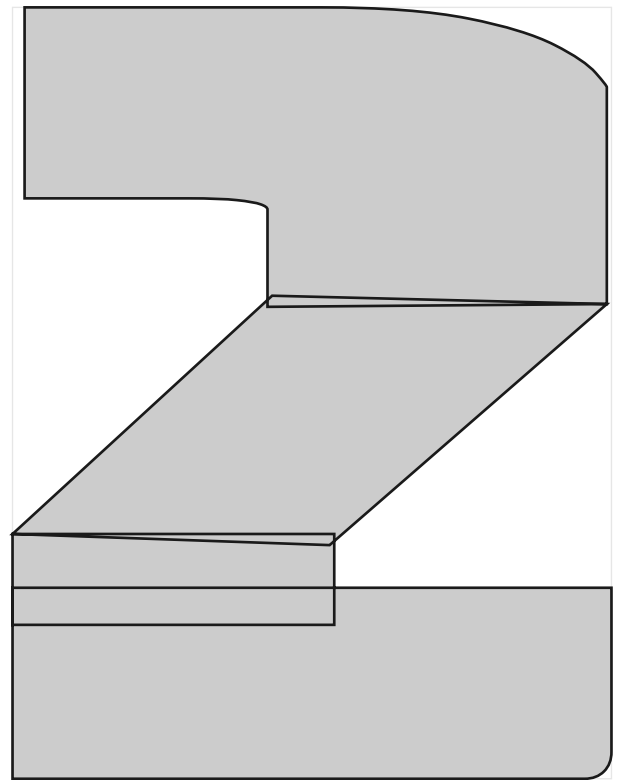
tolerance: 0.62

Problems: wrong\_start\_point

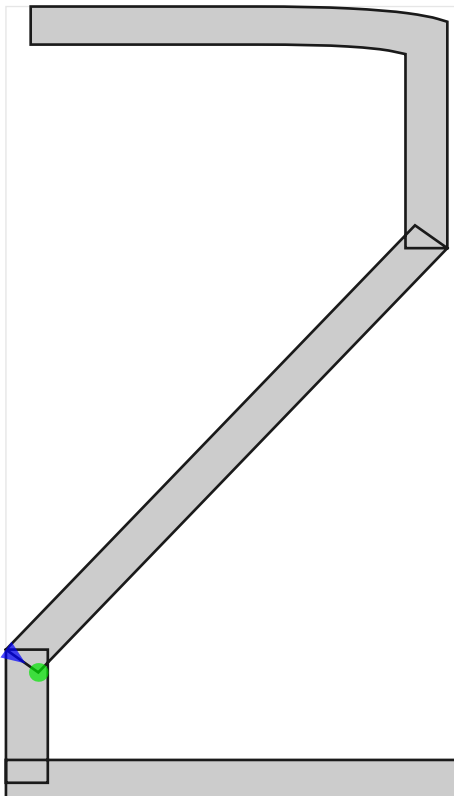
'wght=1000.0'



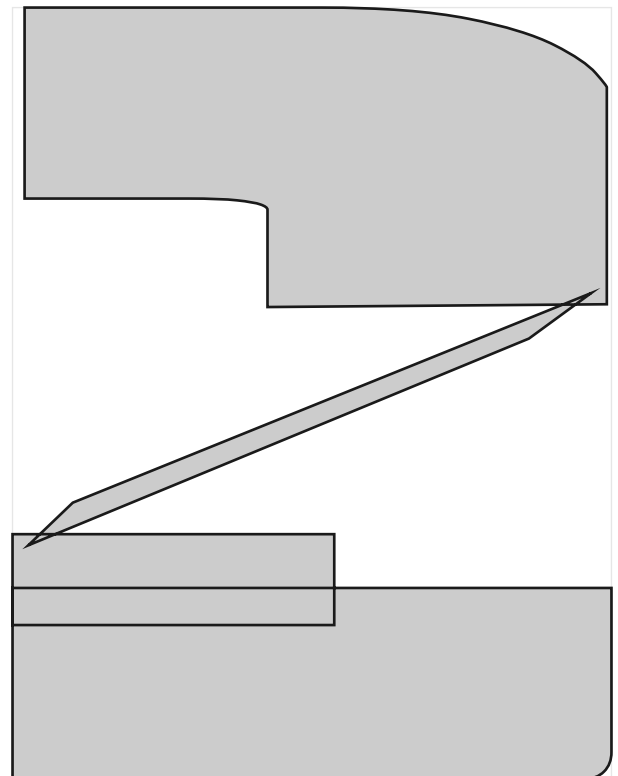
midway interpolation



'SHRP=100.0 wght=1.0'



proposed fix

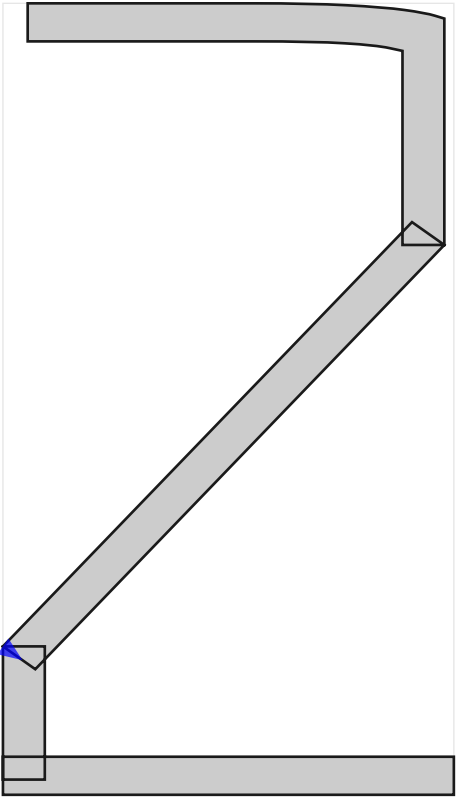


# Glyph name: two.inferior

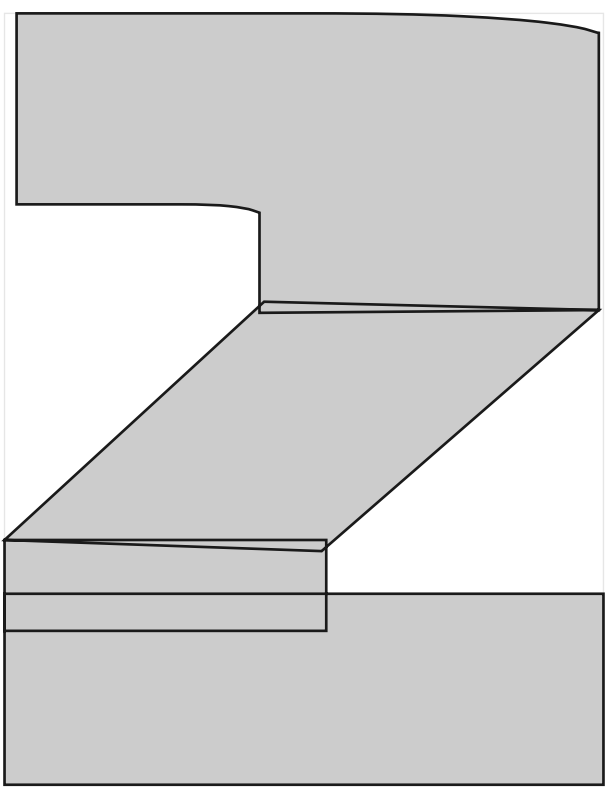
tolerance: 0.62

Problems: wrong\_start\_point

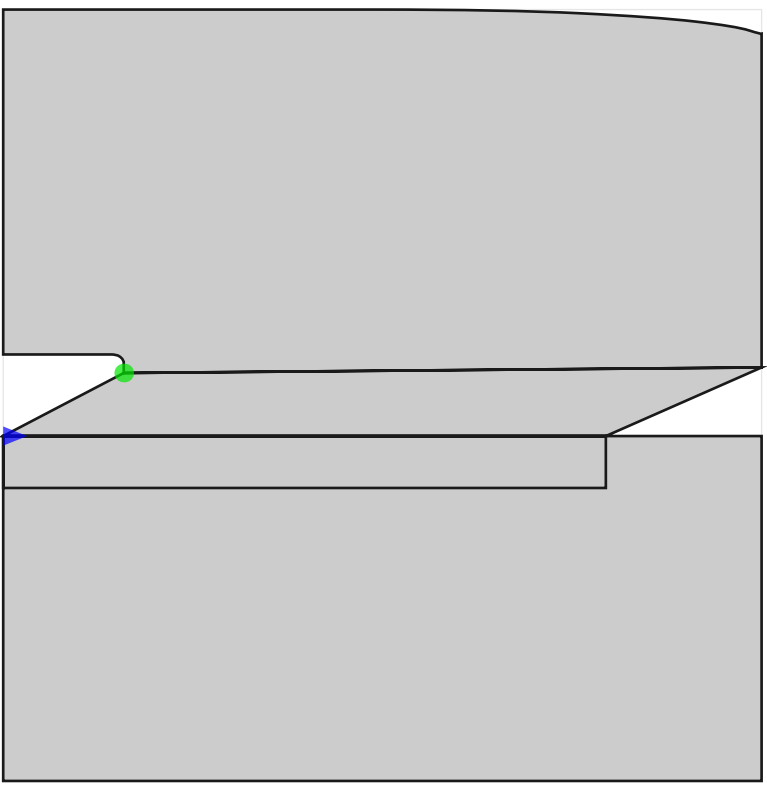
'SHRP=100.0 wght=1.0'



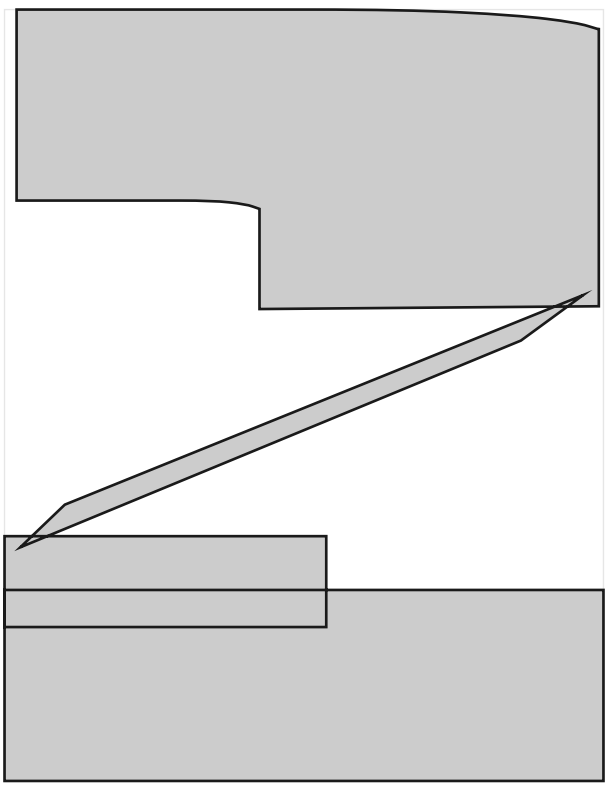
midway interpolation



'SHRP=100.0 wght=1000.0'



proposed fix



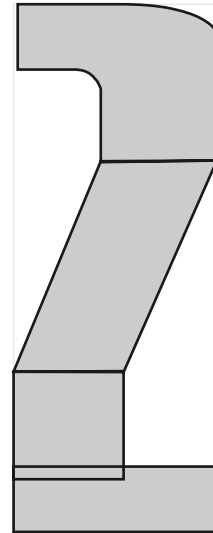
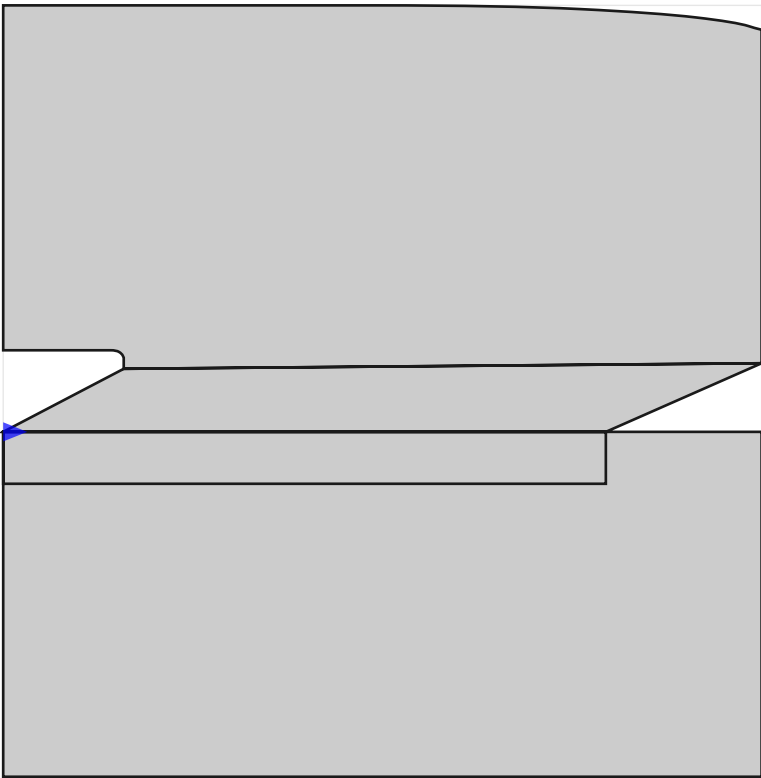
# Glyph name: two.inferior

tolerance: 0.91

Problems: wrong\_start\_point

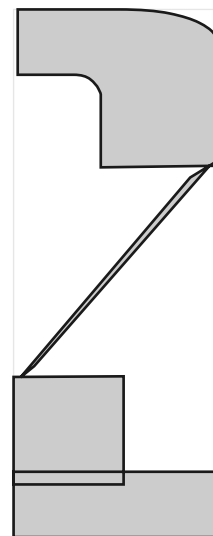
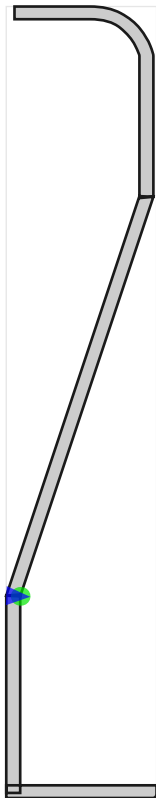
'SHRP=100.0 wght=1000.0'

midway interpolation



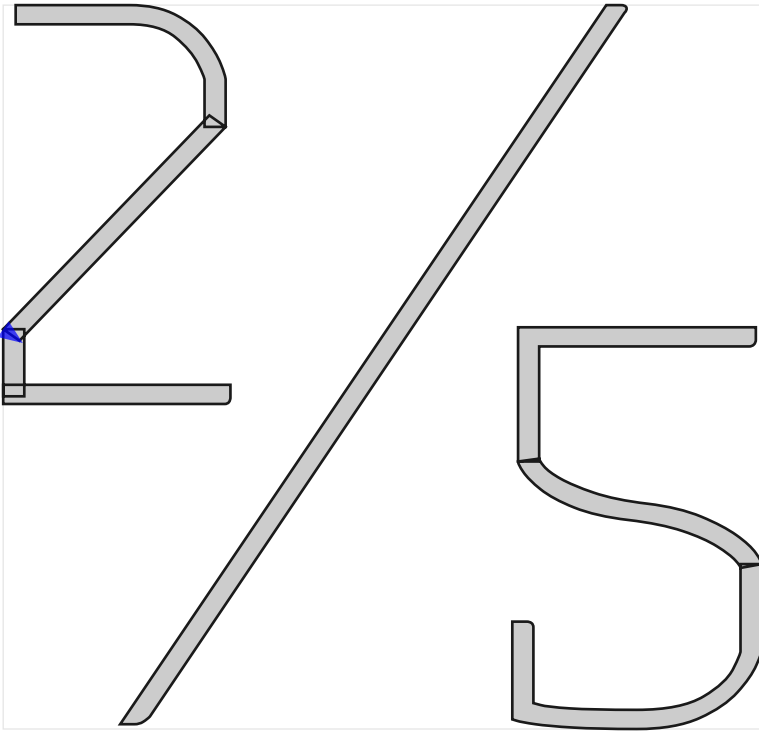
'YEXT=100.0 wght=1.0'

proposed fix

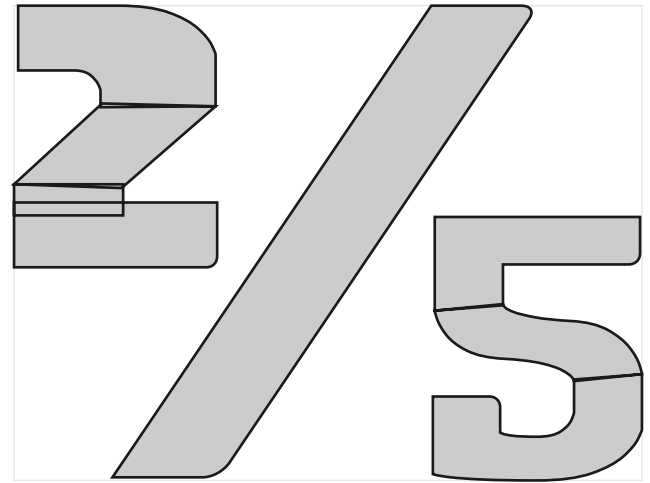


Problems: wrong\_start\_point

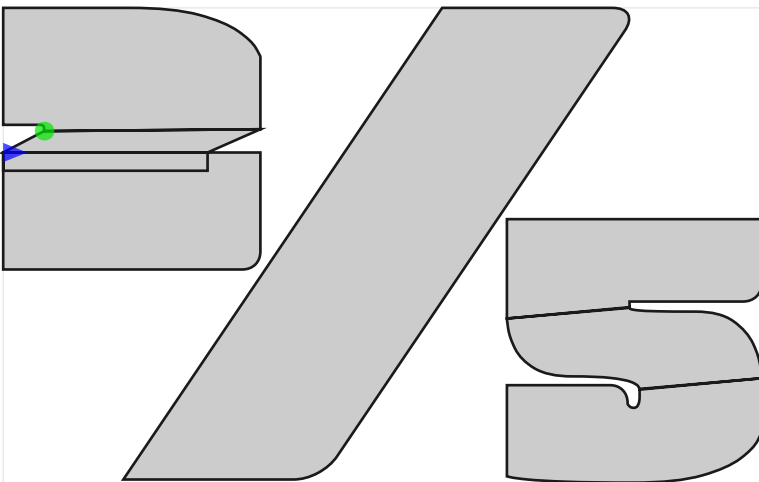
'wght=1.0'



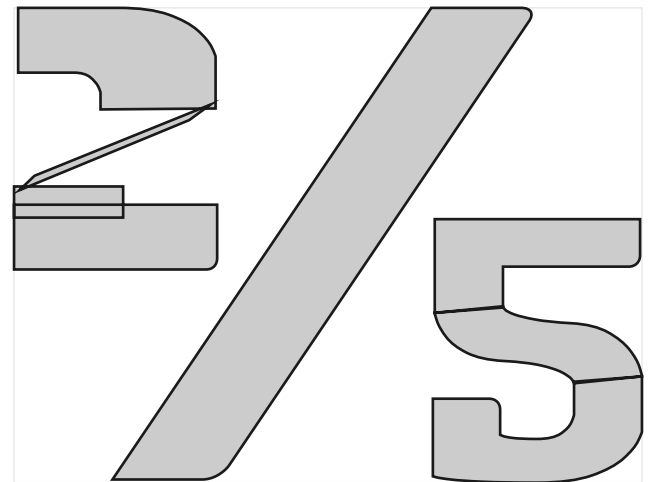
midway interpolation



'wght=1000.0'

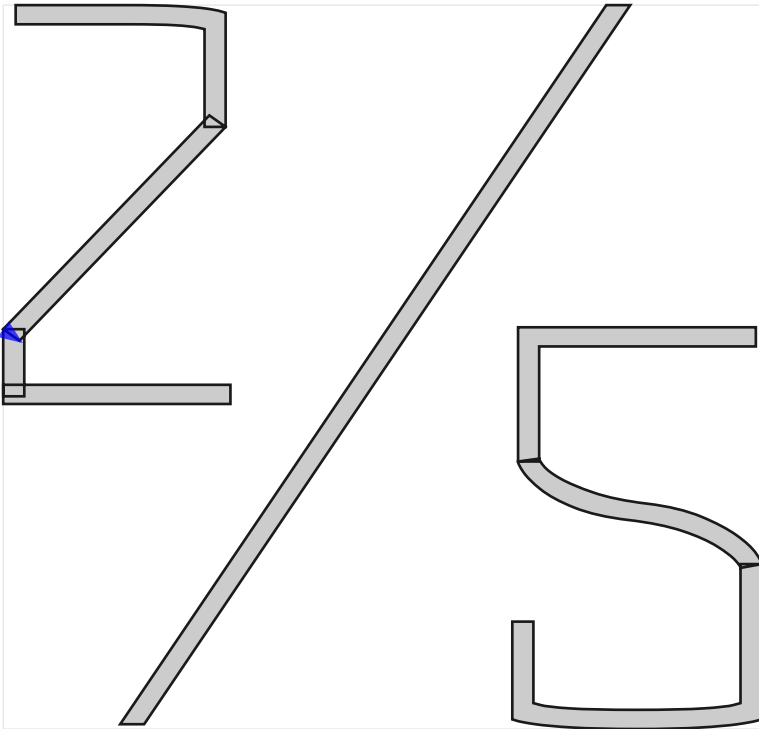


proposed fix

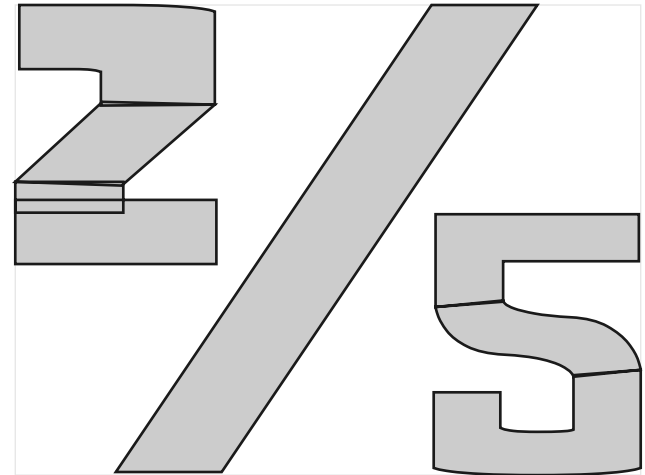


Problems: wrong\_start\_point

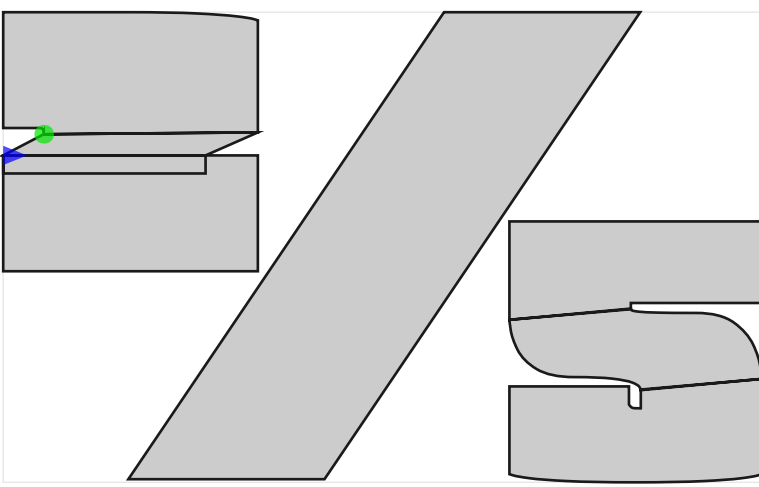
'SHRP=100.0 wght=1.0'



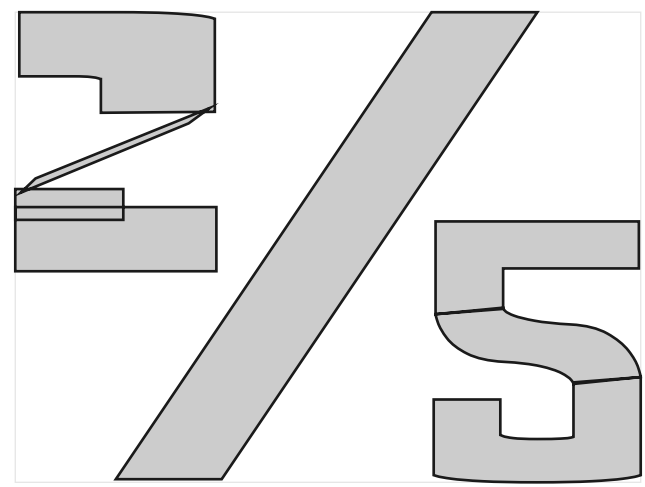
midway interpolation



'SHRP=100.0 wght=1000.0'



proposed fix





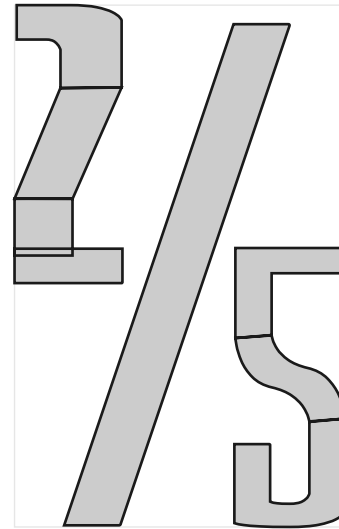
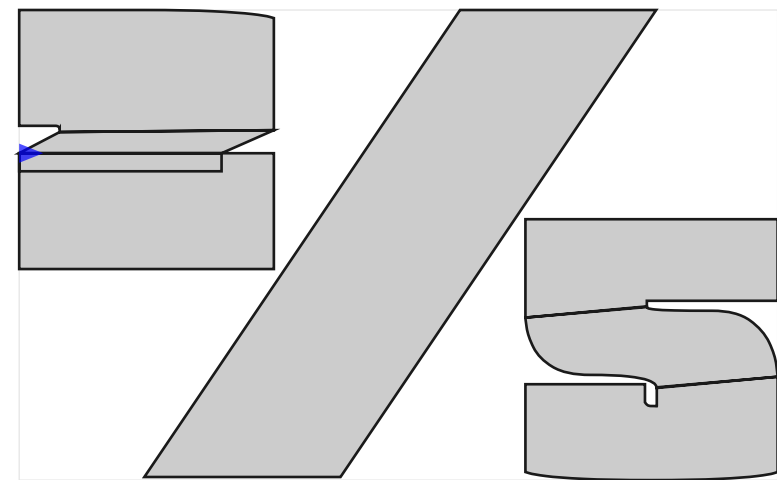
# Glyph name: uni2156

tolerance: 0.91

Problems: wrong\_start\_point

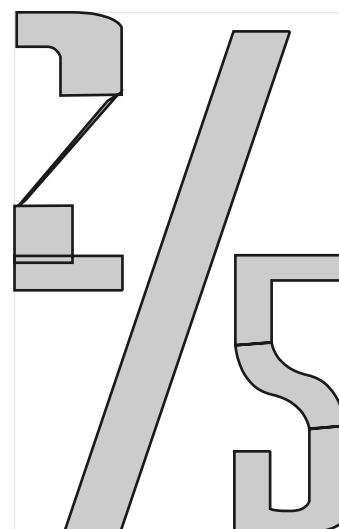
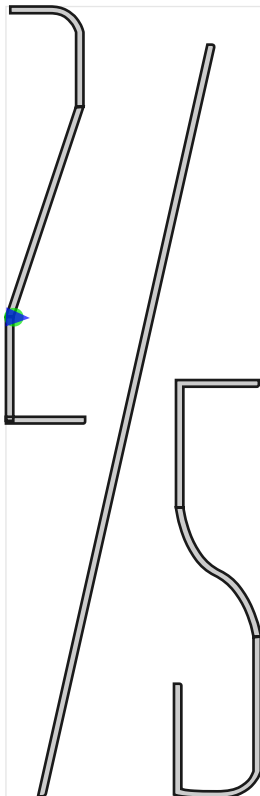
'SHRP=100.0 wght=1000.0'

midway interpolation



'YEXT=100.0 wght=1.0'

proposed fix

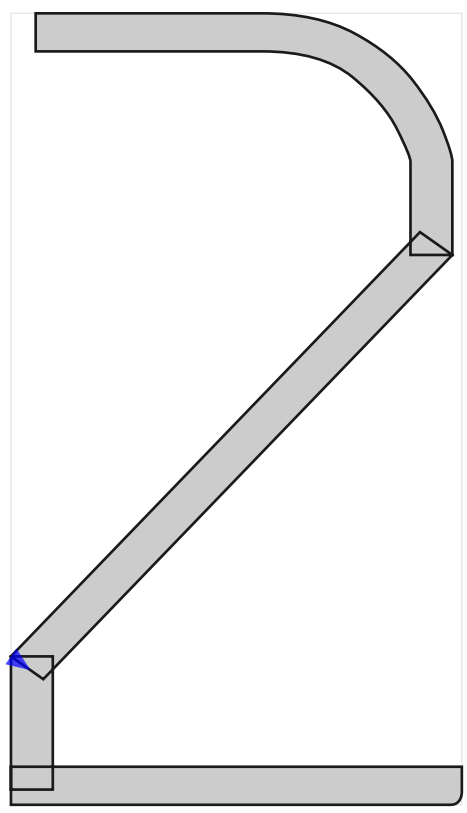


# Glyph name: two.superior

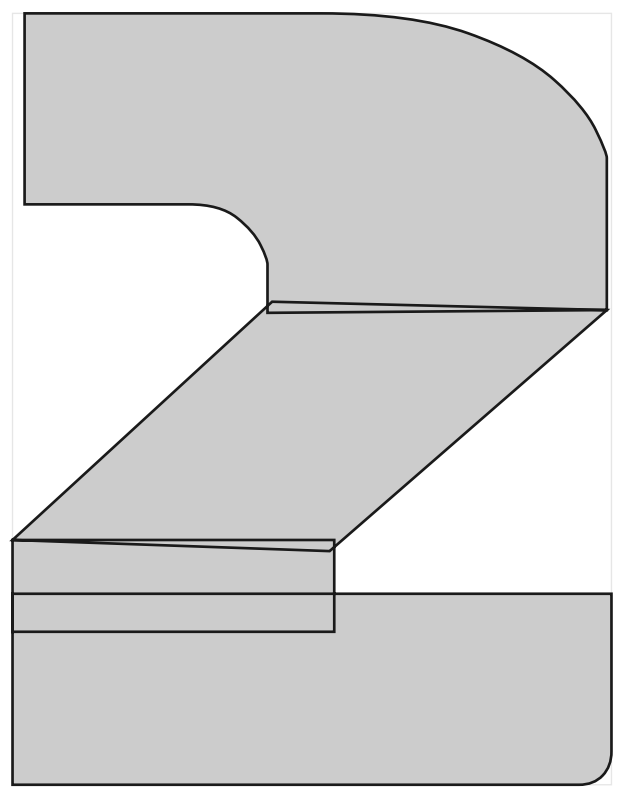
tolerance: 0.62

Problems: wrong\_start\_point

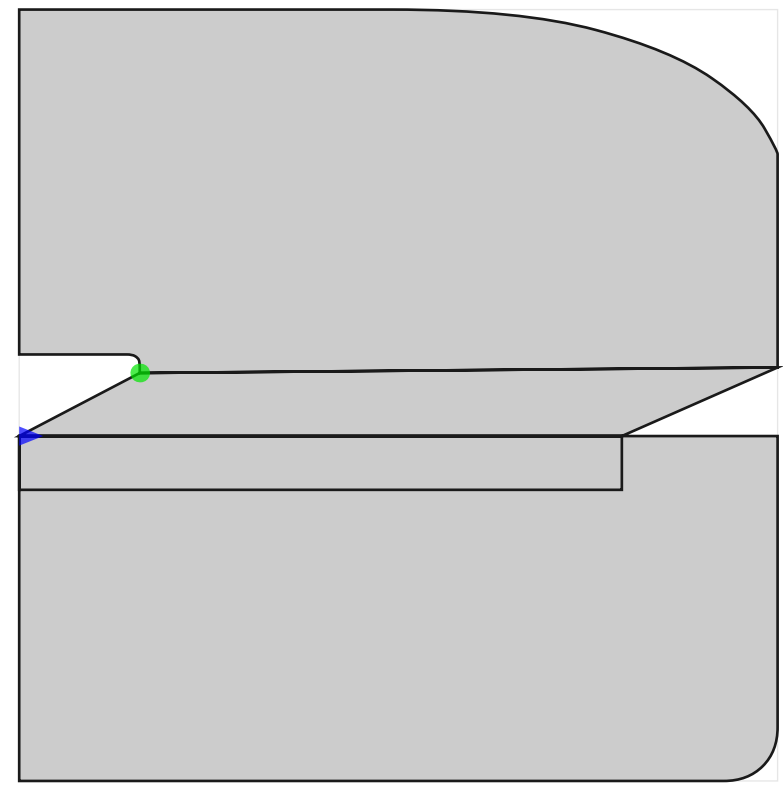
'wght=1.0'



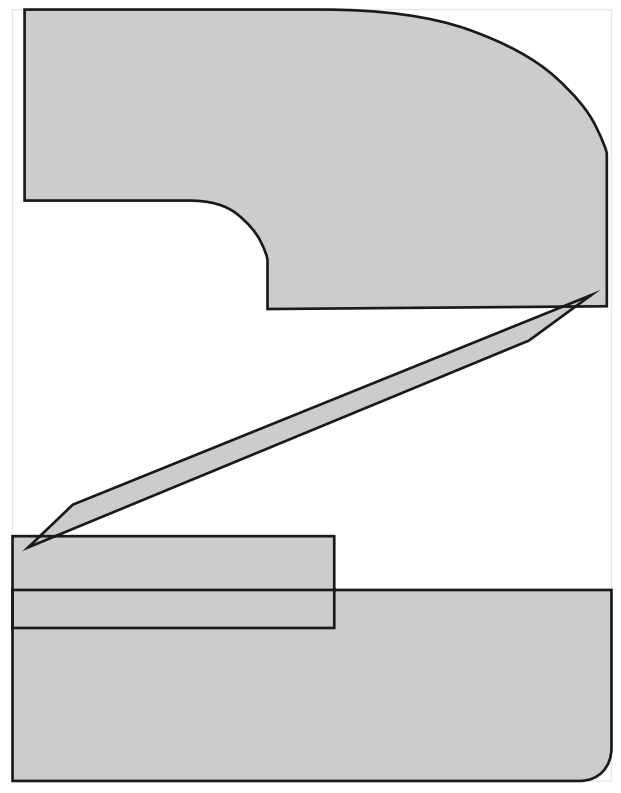
midway interpolation



'wght=1000.0'



proposed fix

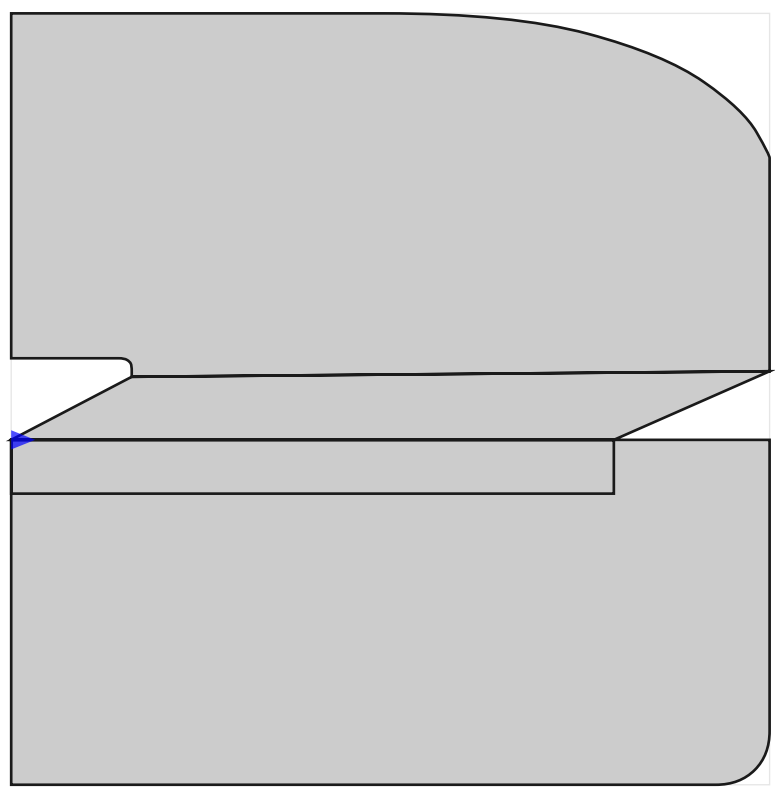


# Glyph name: two.superior

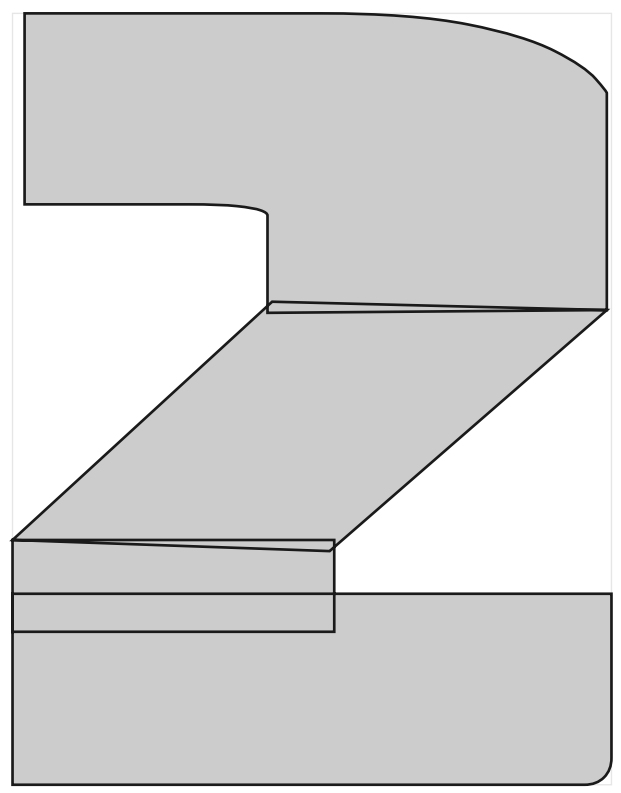
tolerance: 0.62

Problems: wrong\_start\_point

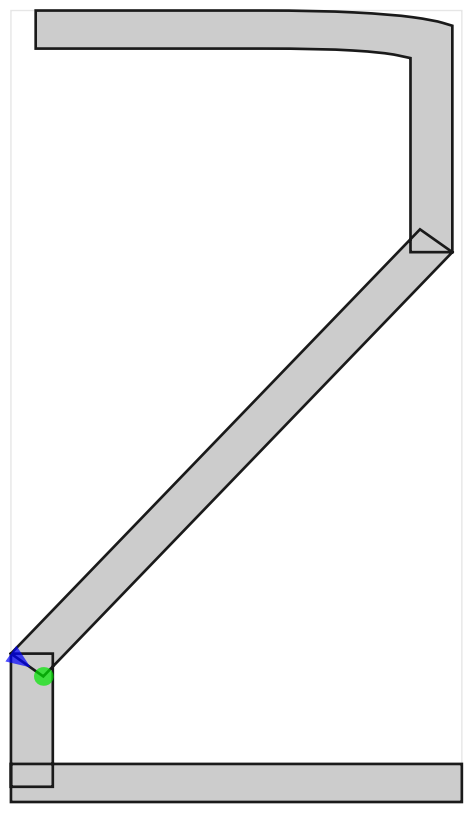
'wght=1000.0'



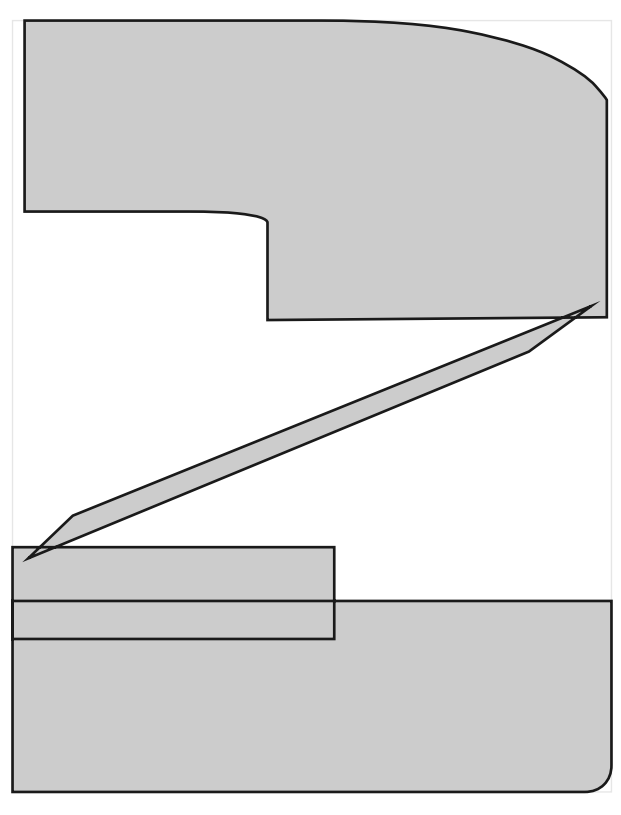
midway interpolation



'SHRP=100.0 wght=1.0'



proposed fix

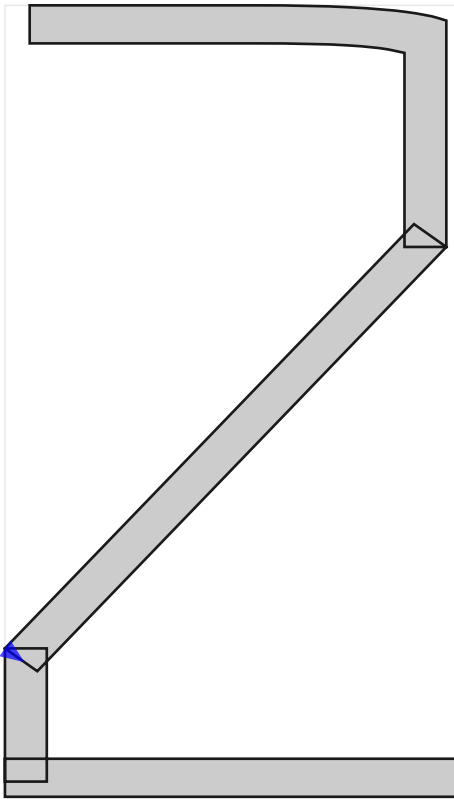


# Glyph name: two.superior

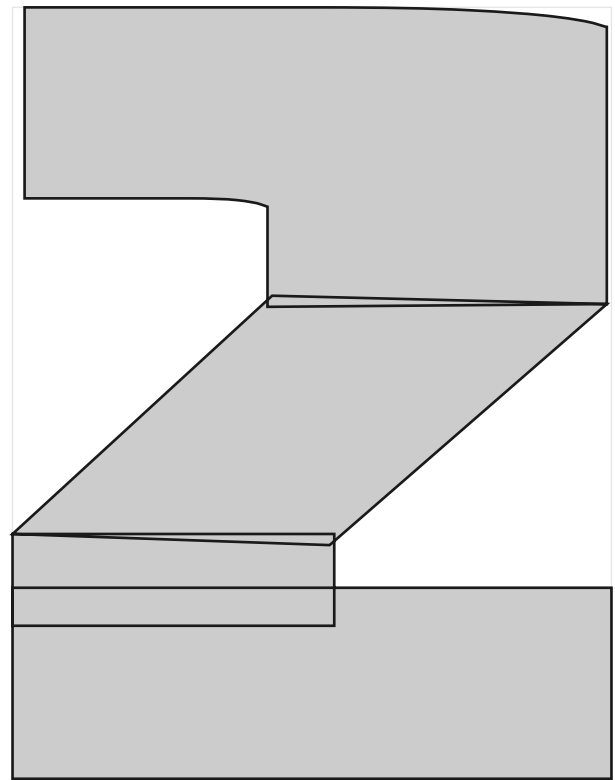
tolerance: 0.62

Problems: wrong\_start\_point

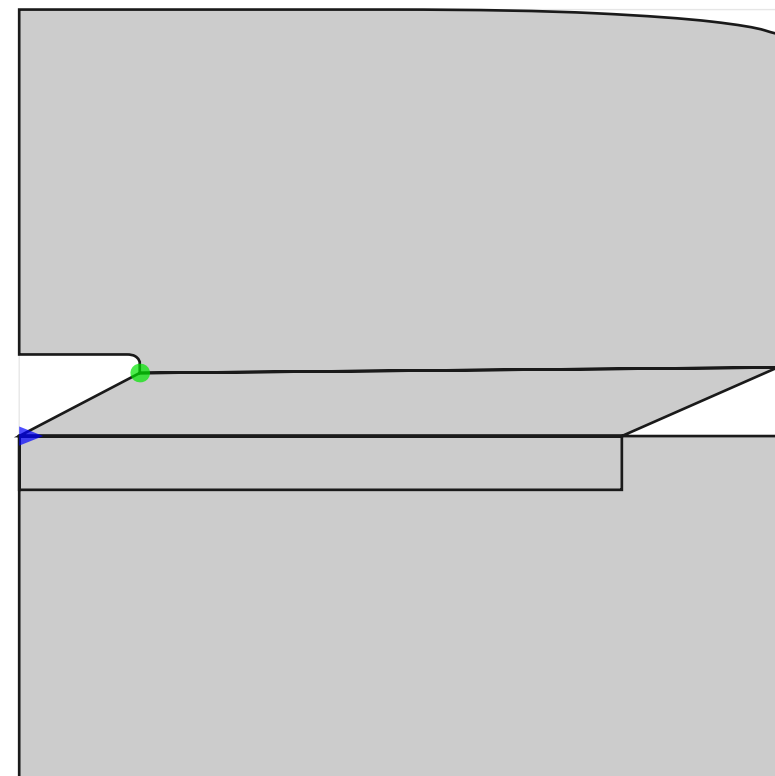
'SHRP=100.0 wght=1.0'



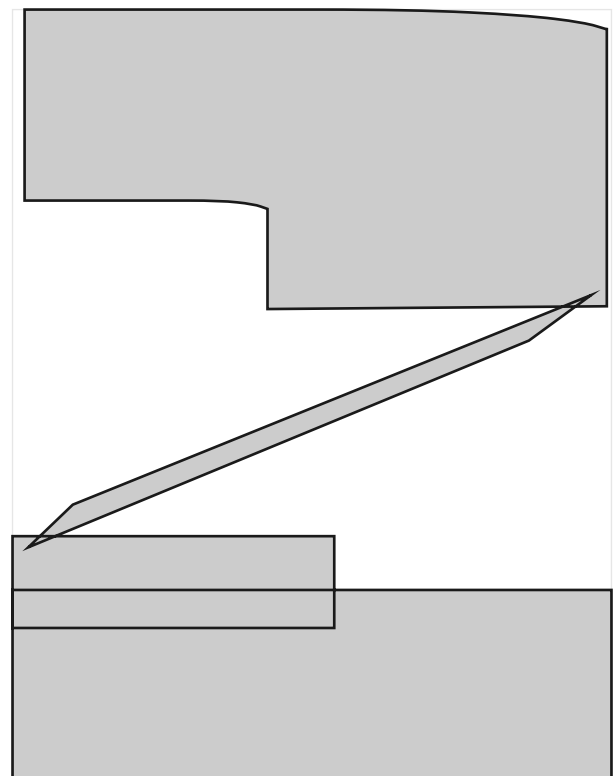
midway interpolation



'SHRP=100.0 wght=1000.0'



proposed fix

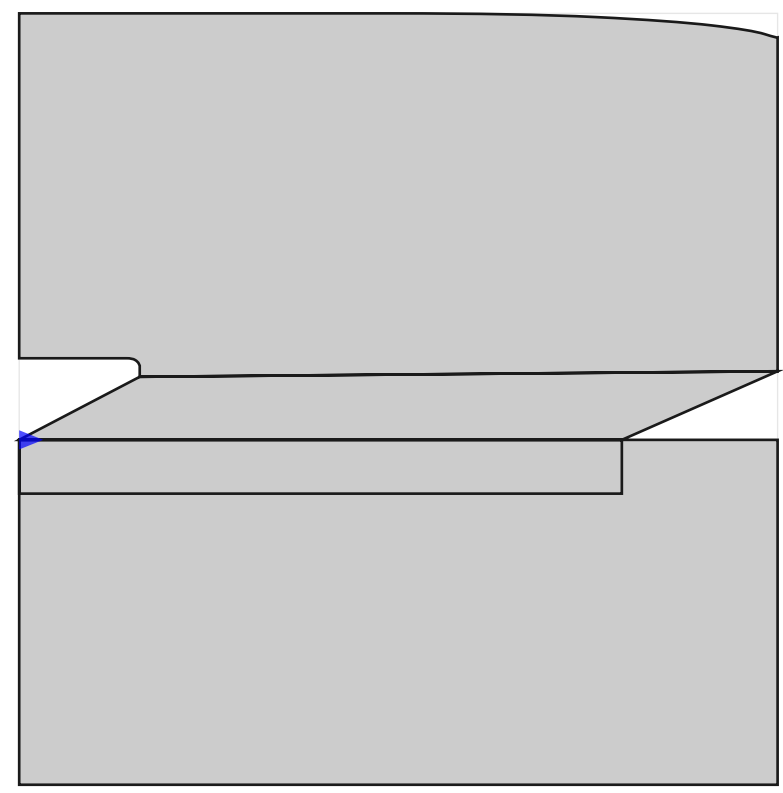


# Glyph name: two.superior

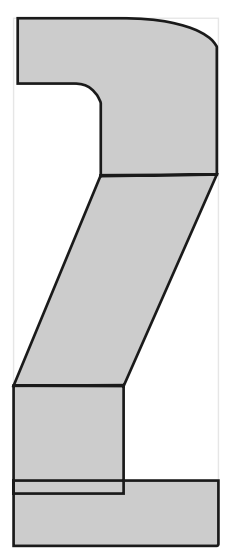
tolerance: 0.91

Problems: wrong\_start\_point

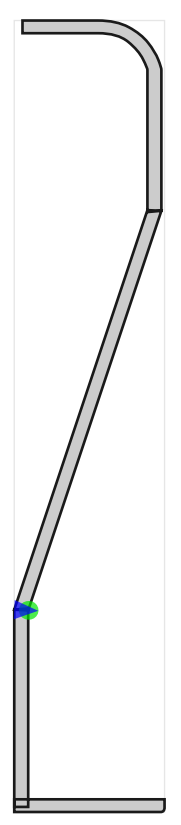
'SHRP=100.0 wght=1000.0'



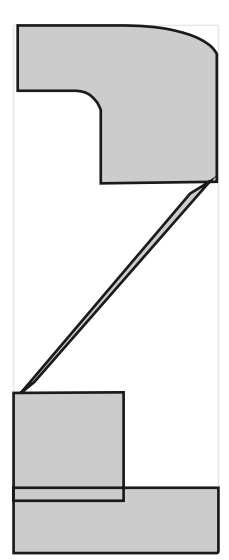
midway interpolation



'YEXT=100.0 wght=1.0'



proposed fix

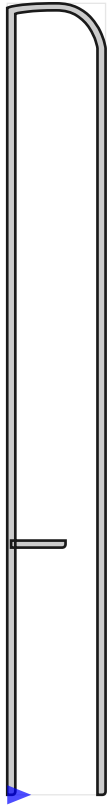


# Glyph name: f\_l

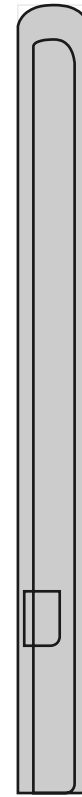
tolerance: 0.77

Problems: wrong\_start\_point

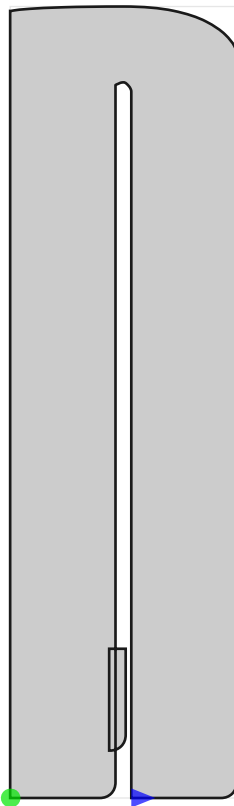
'YEXT=100.0 wght=1.0'



midway interpolation



'YEXT=100.0 wght=1000.0'



proposed fix

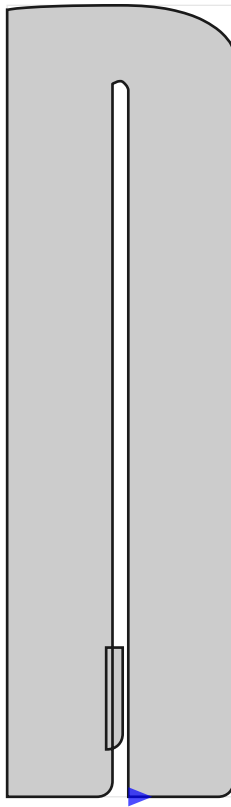


# Glyph name: f\_l

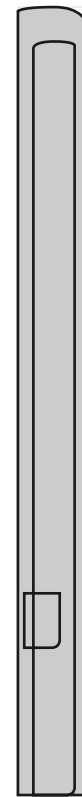
tolerance: 0.77

Problems: wrong\_start\_point

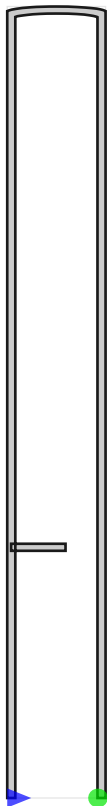
'YEXT=100.0 wght=1000.0'



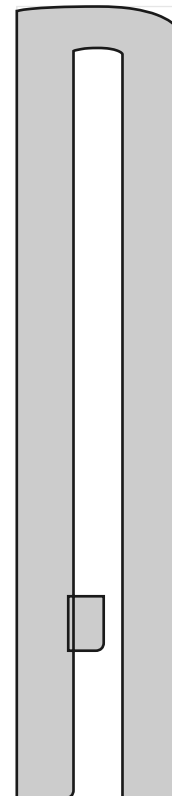
midway interpolation



'SHRP=100.0 YEXT=100.0 wght=1.0'



proposed fix

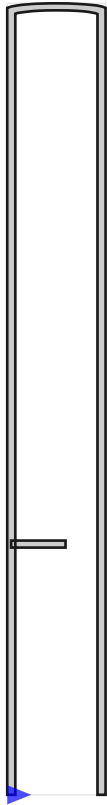


# Glyph name: f\_l

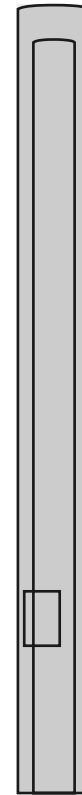
tolerance: 0.80

Problems: wrong\_start\_point

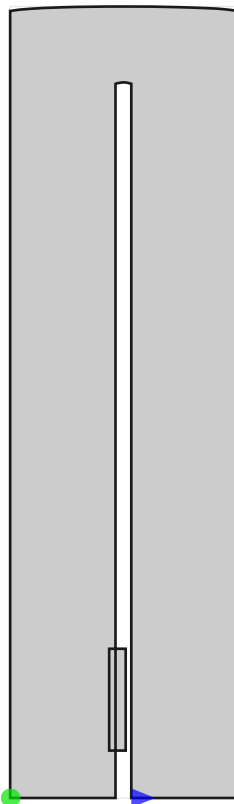
'SHRP=100.0 YEXT=100.0 wght=1.0'



midway interpolation



'SHRP=100.0 YEXT=100.0 wght=1000.0'



proposed fix



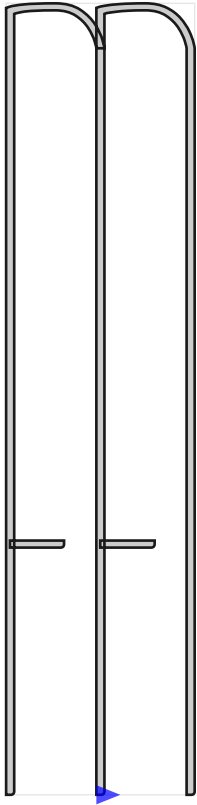


# Glyph name: f\_f\_l

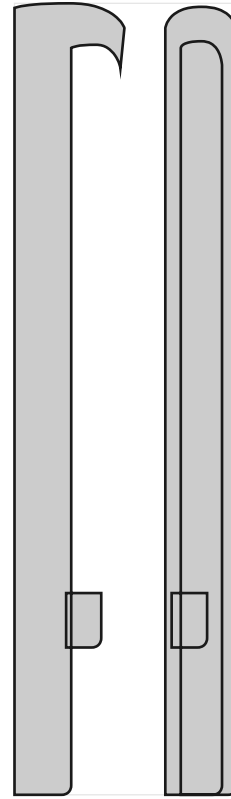
tolerance: 0.79

Problems: wrong\_start\_point

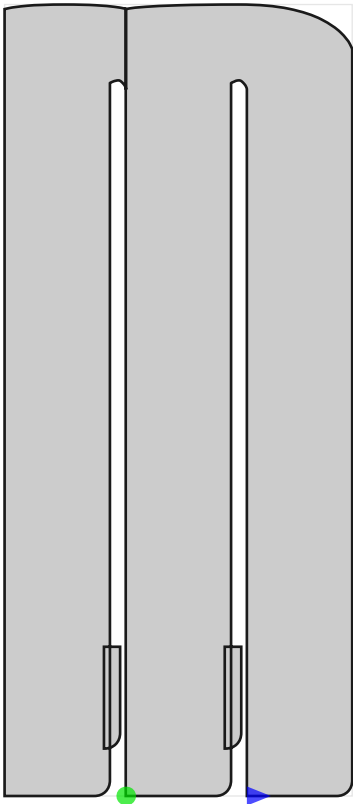
'YEXT=100.0 wght=1.0'



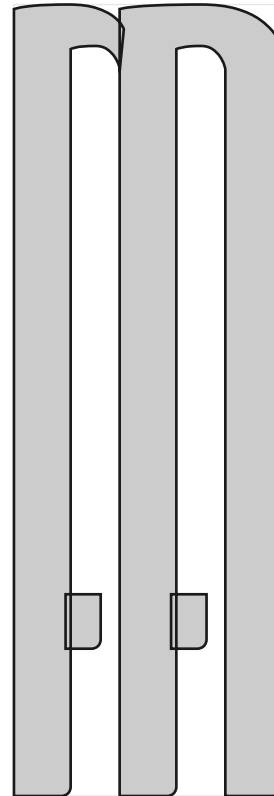
midway interpolation



'YEXT=100.0 wght=1000.0'



proposed fix

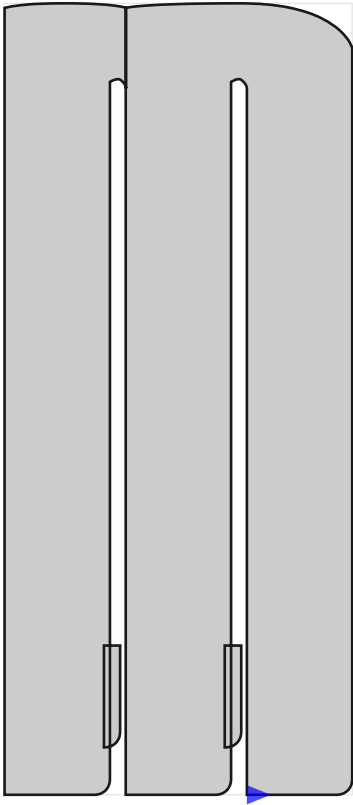


# Glyph name: f\_f\_l

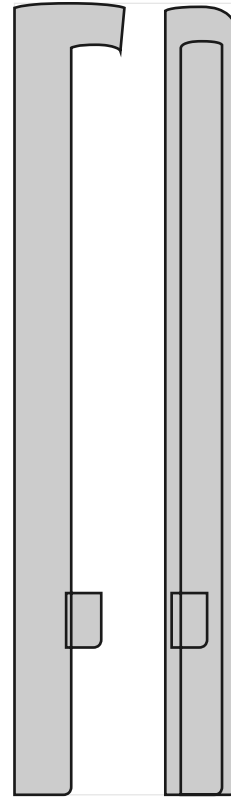
tolerance: 0.79

Problems: wrong\_start\_point

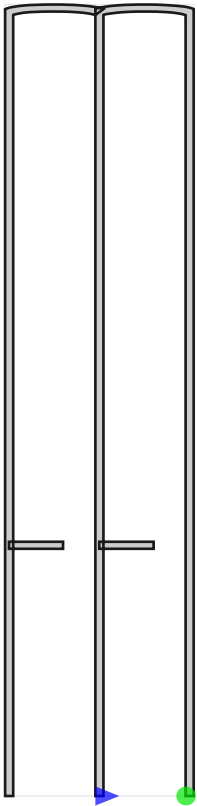
'YEXT=100.0 wght=1000.0'



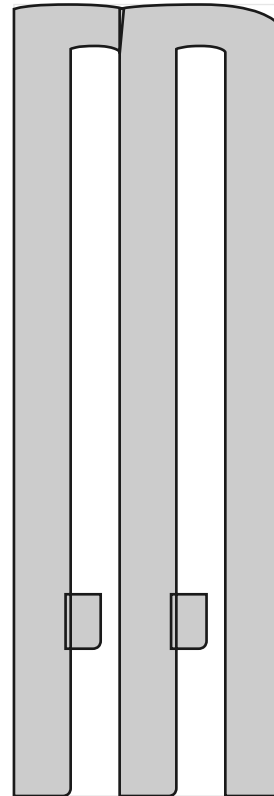
midway interpolation



'SHRP=100.0 YEXT=100.0 wght=1.0'



proposed fix

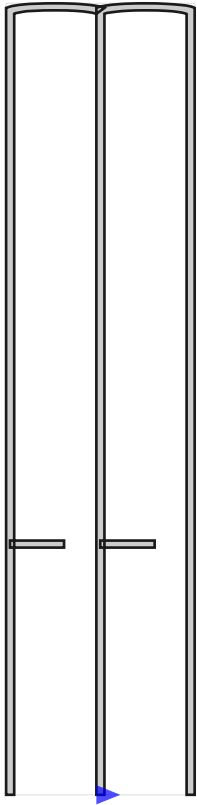


# Glyph name: f\_f\_l

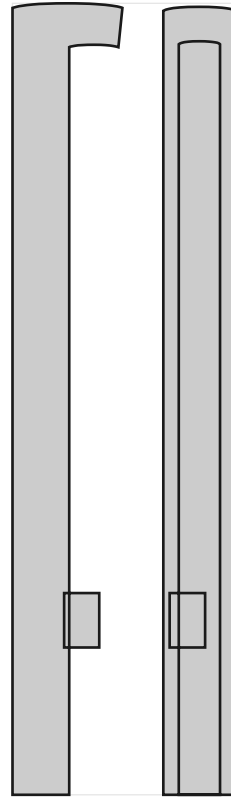
tolerance: 0.81

Problems: wrong\_start\_point

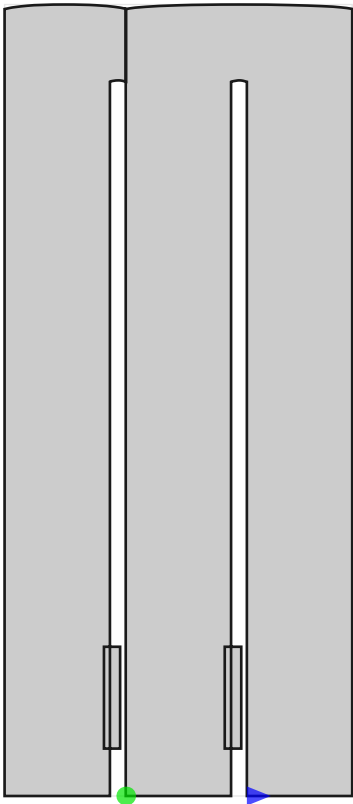
'SHRP=100.0 YEXT=100.0 wght=1.0'



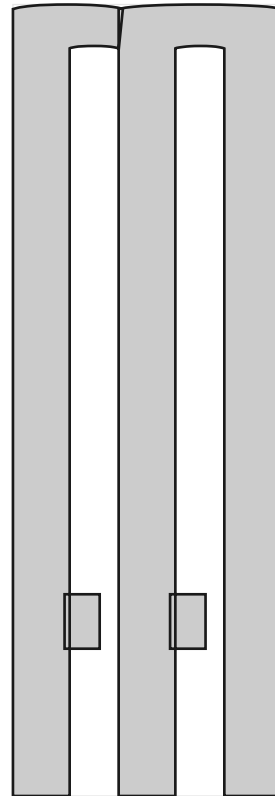
midway interpolation



'SHRP=100.0 YEXT=100.0 wght=1000.0'



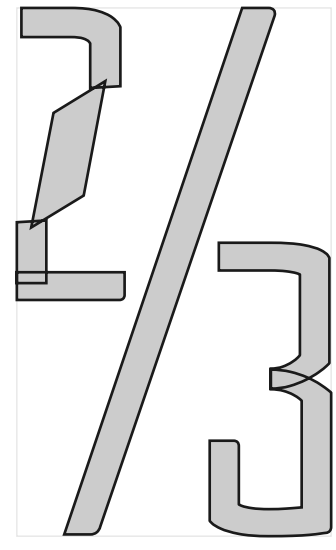
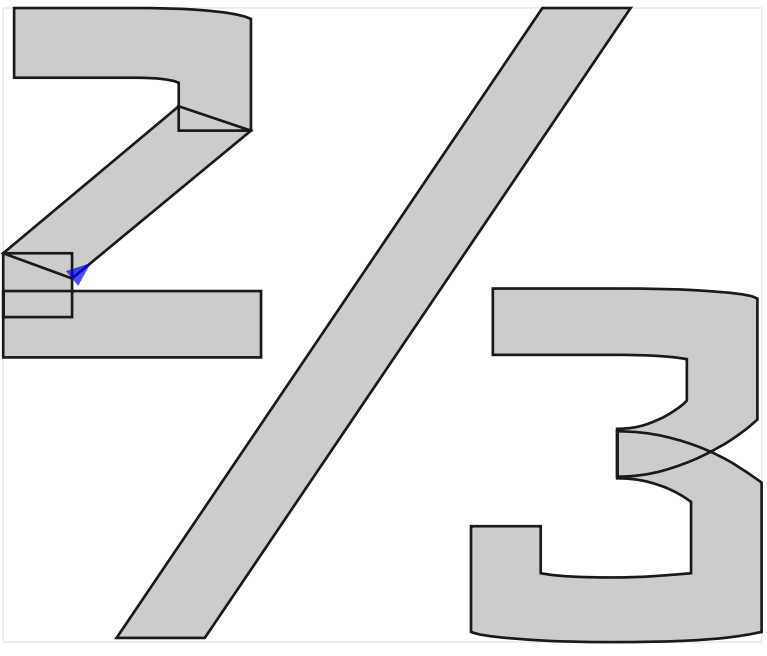
proposed fix



Problems: wrong\_start\_point

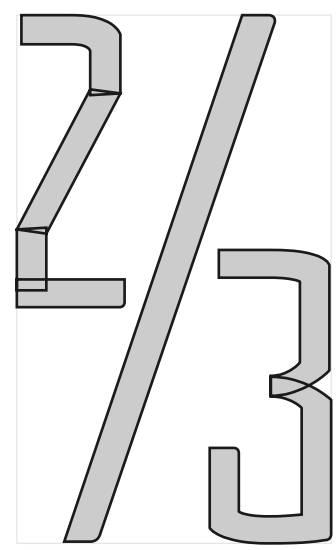
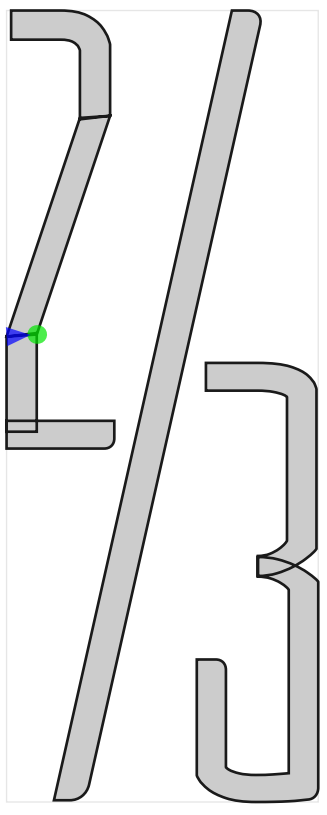
'SHRP=100.0'

midway interpolation



'YEXT=100.0'

proposed fix

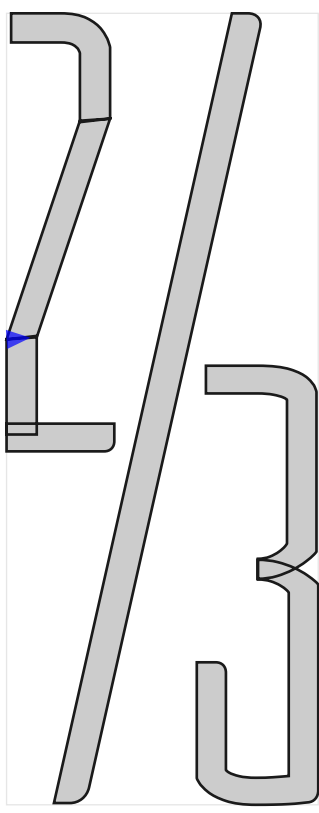


# Glyph name: uni2154

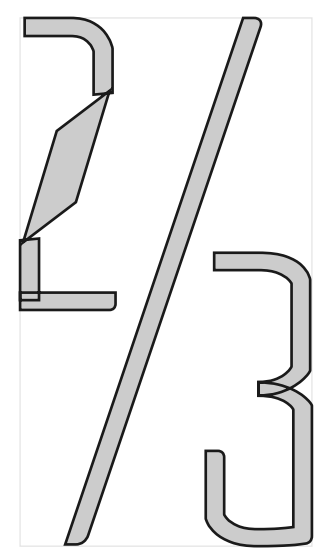
tolerance: 0.87

Problems: wrong\_start\_point

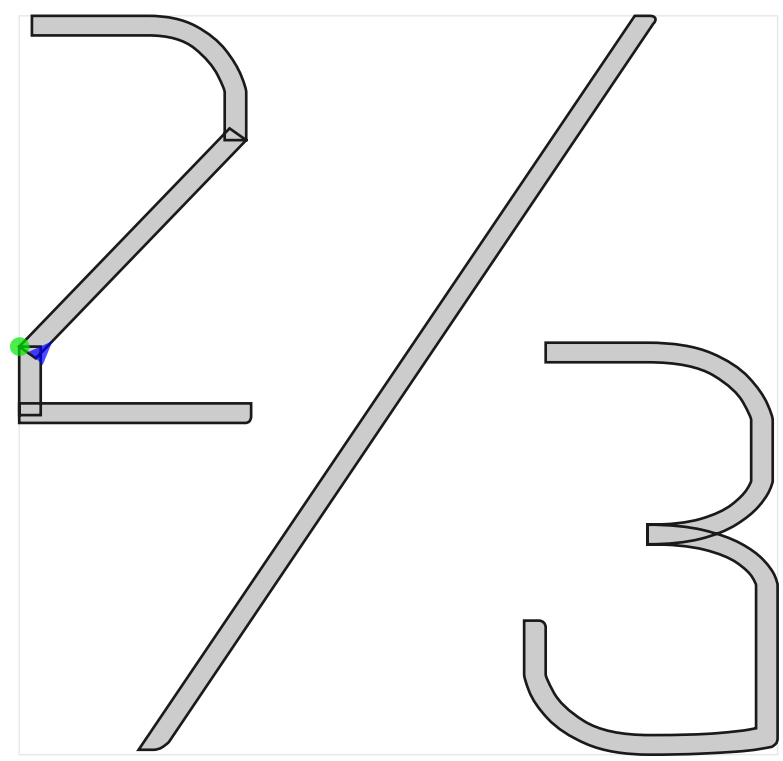
'YEXT=100.0'



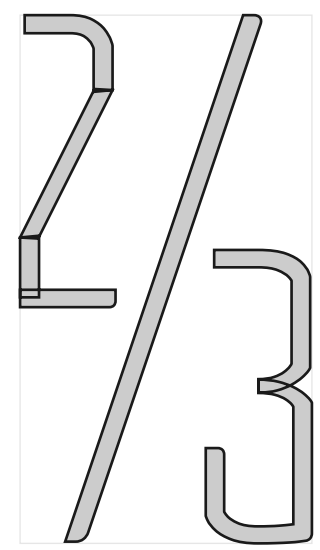
midway interpolation



'wght=1.0'



proposed fix

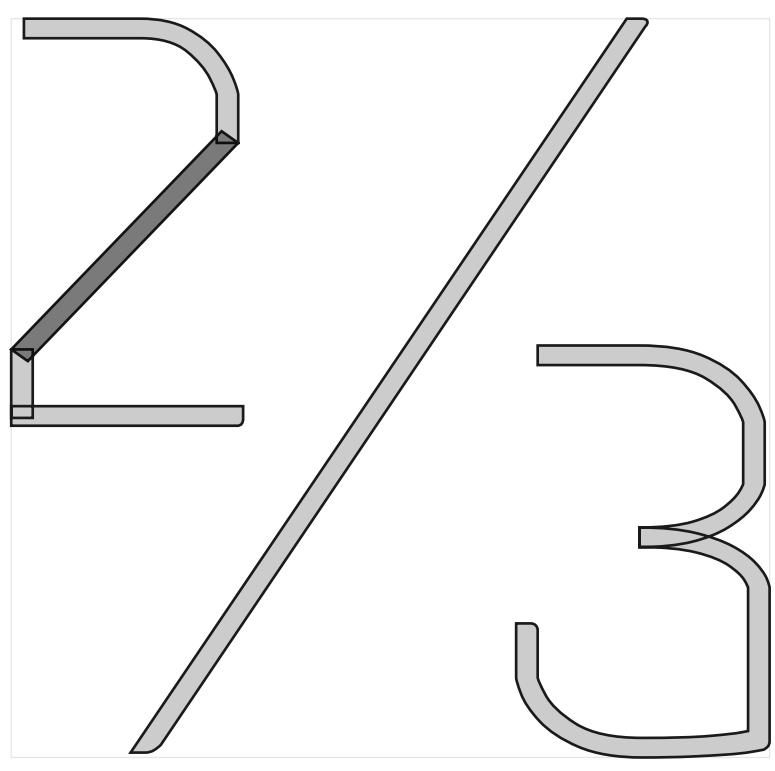


# Glyph name: uni2154

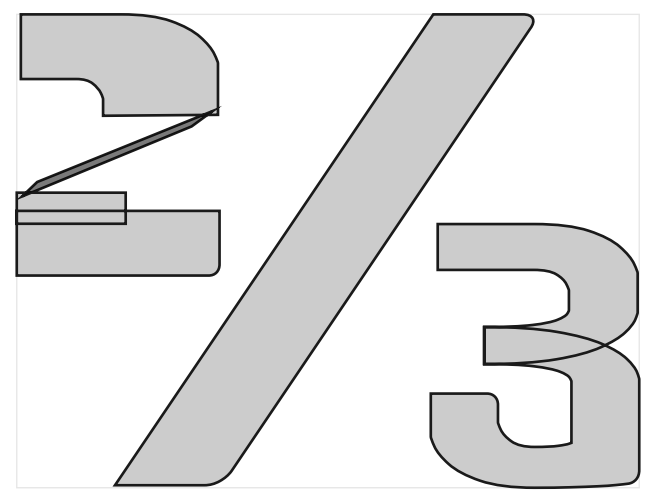
tolerance: 0.38

Problems: underweight

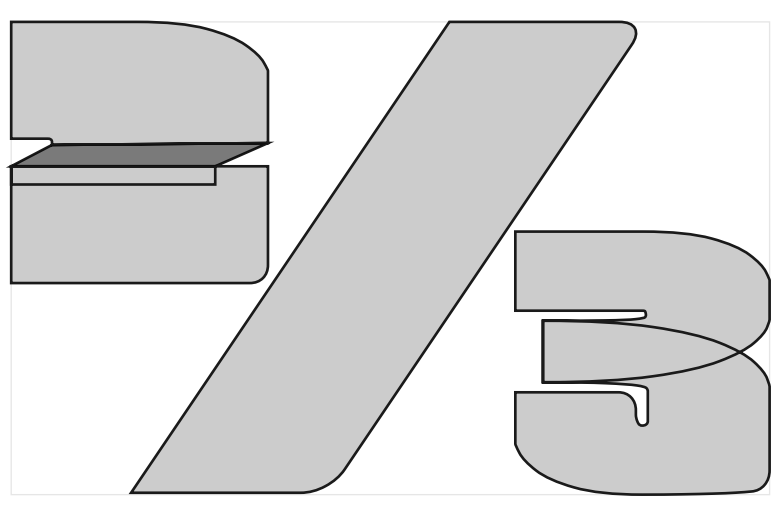
'wght=1.0'



midway interpolation



'wght=1000.0'

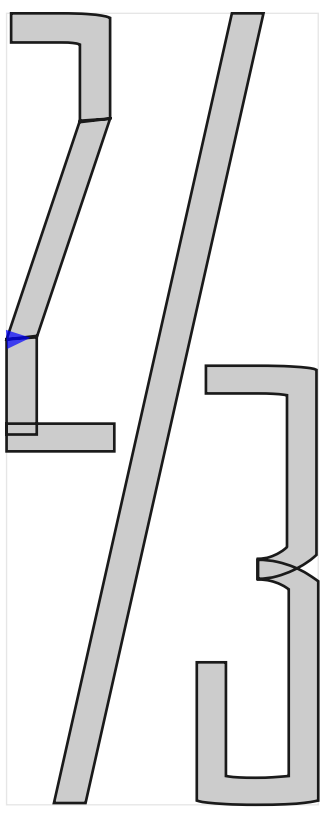


# Glyph name: uni2154

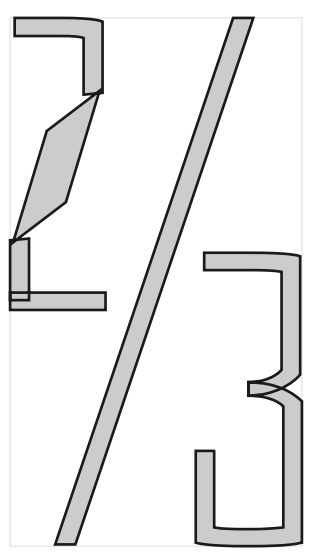
tolerance: 0.87

Problems: wrong\_start\_point

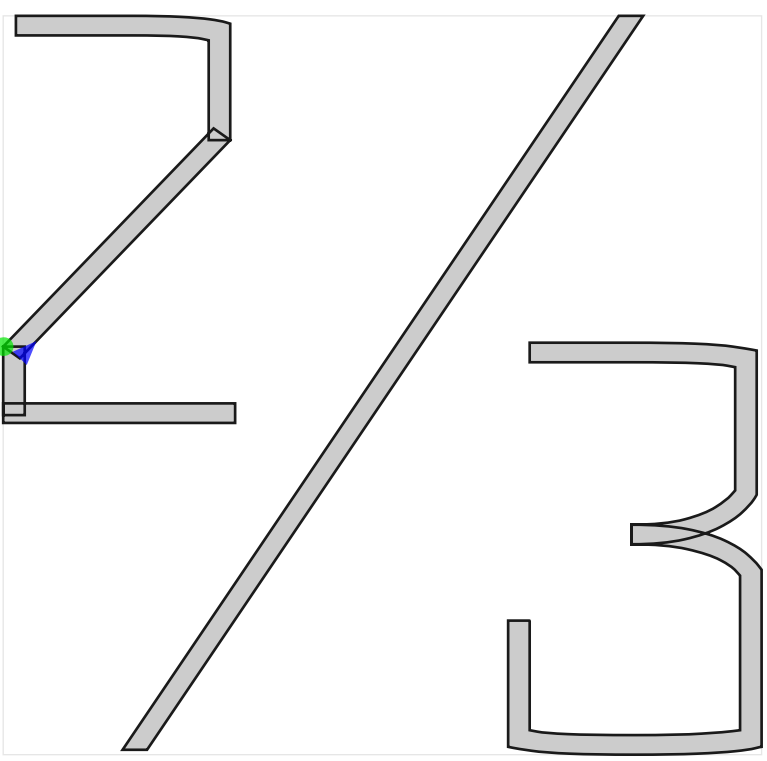
'SHRP=100.0 YEXT=100.0'



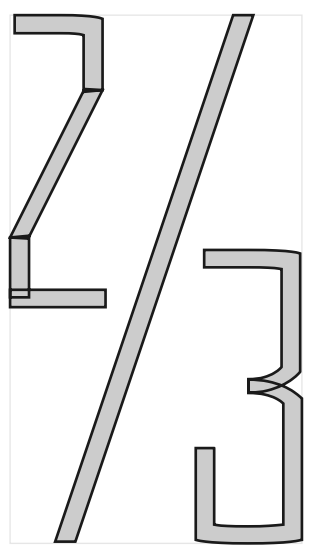
midway interpolation



'SHRP=100.0 wght=1.0'



proposed fix

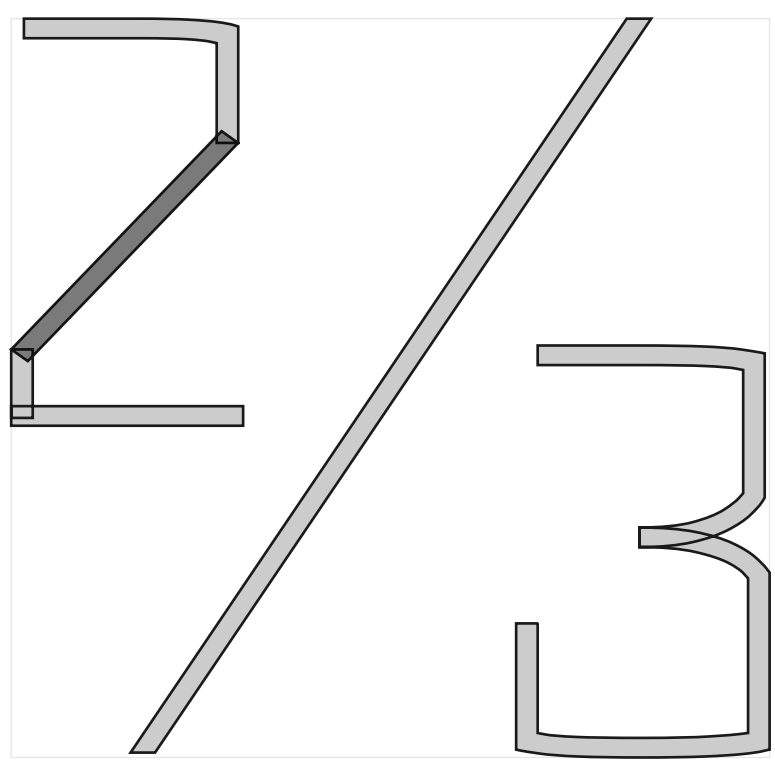


# Glyph name: uni2154

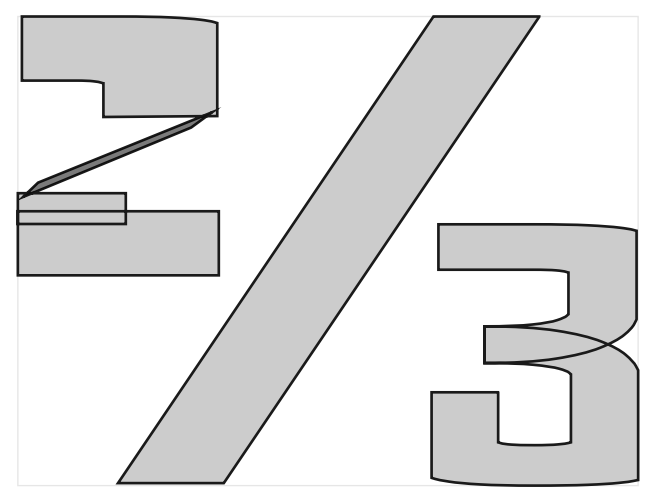
tolerance: 0.38

Problems: underweight

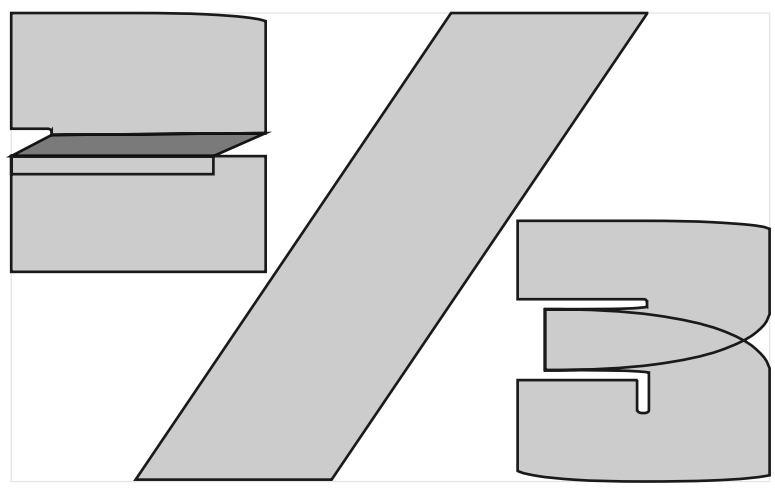
'SHRP=100.0 wght=1.0'



midway interpolation



'SHRP=100.0 wght=1000.0'





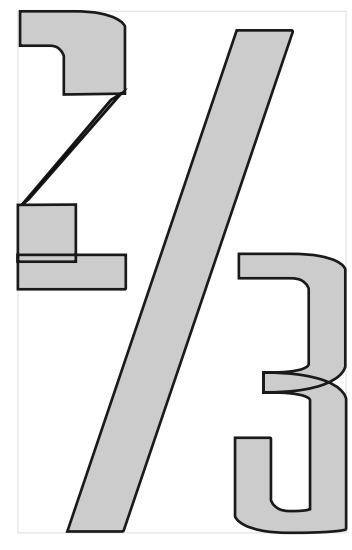
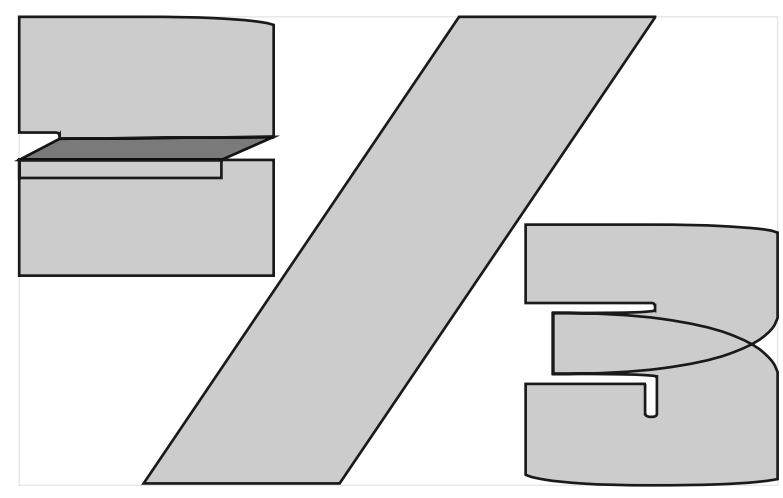
# Glyph name: uni2154

tolerance: 0.26

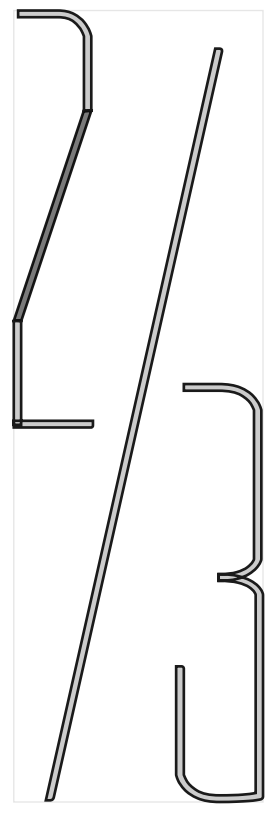
Problems: underweight

'SHRP=100.0 wght=1000.0'

midway interpolation



'YEXT=100.0 wght=1.0'

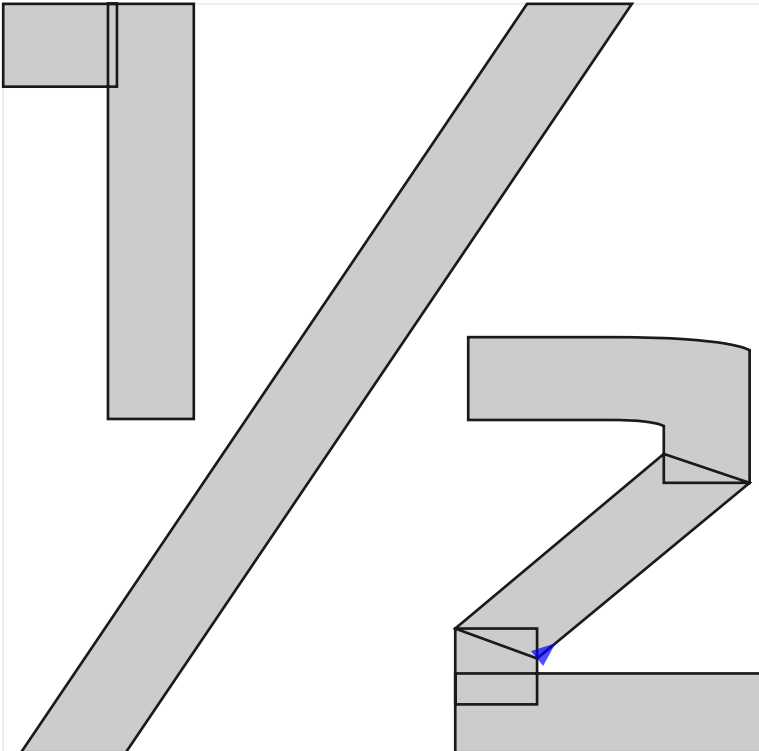


# Glyph name: onehalf

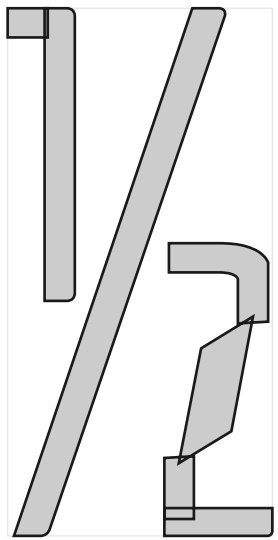
tolerance: 0.84

Problems: wrong\_start\_point

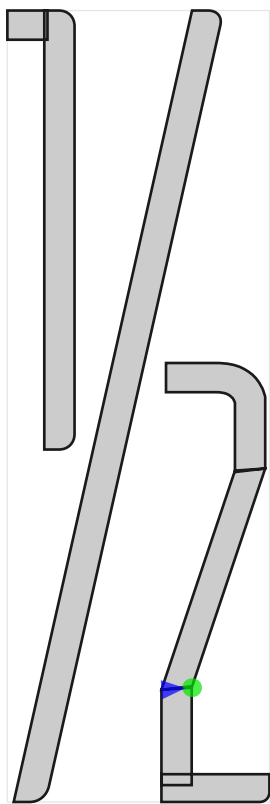
'SHRP=100.0'



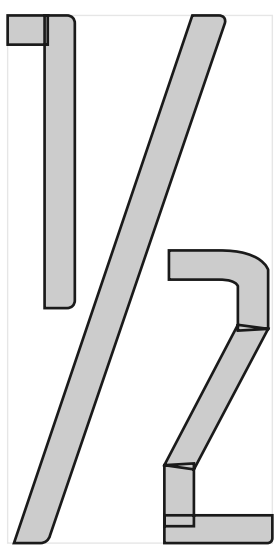
midway interpolation



'YEXT=100.0'



proposed fix

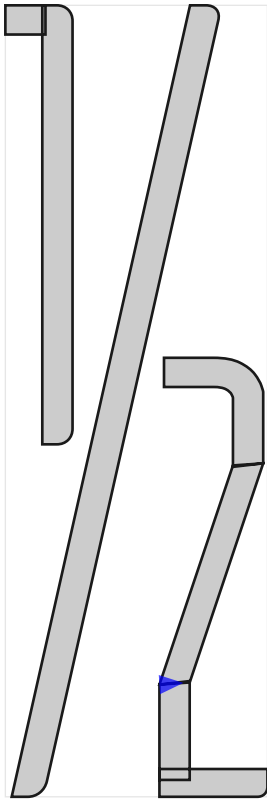


# Glyph name: onehalf

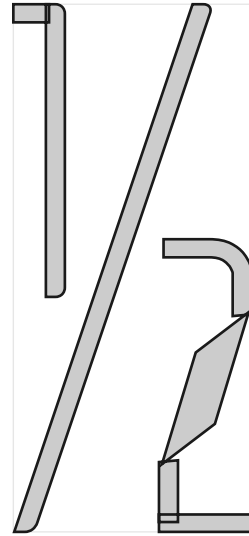
tolerance: 0.89

Problems: wrong\_start\_point

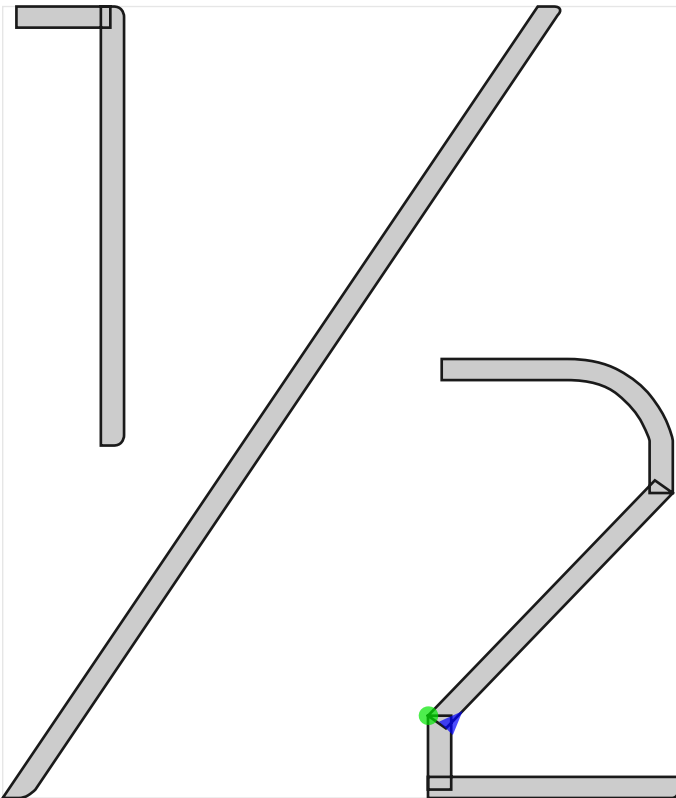
'YEXT=100.0'



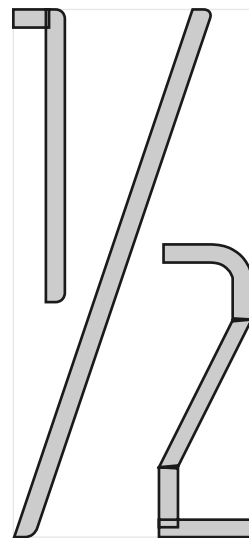
midway interpolation



'wght=1.0'



proposed fix

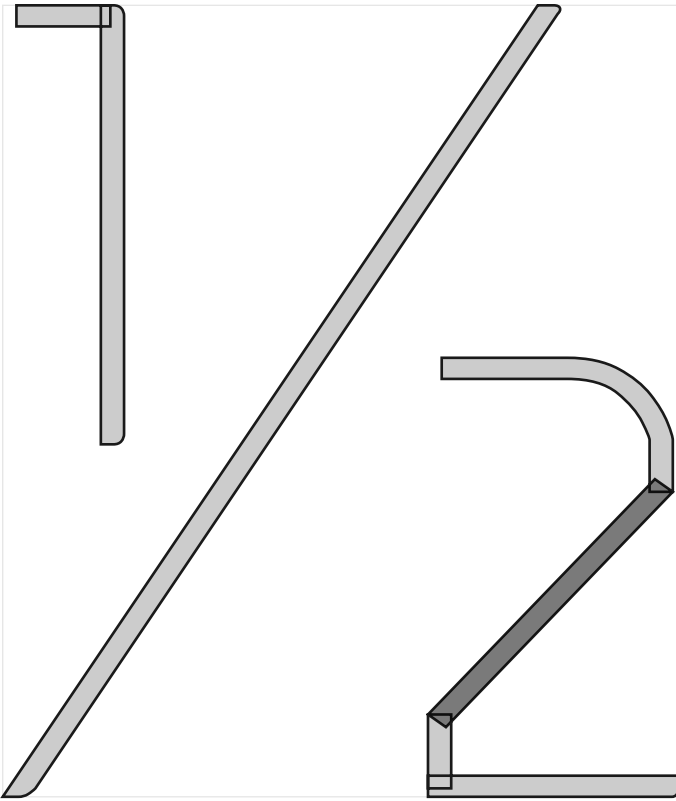


# Glyph name: onehalf

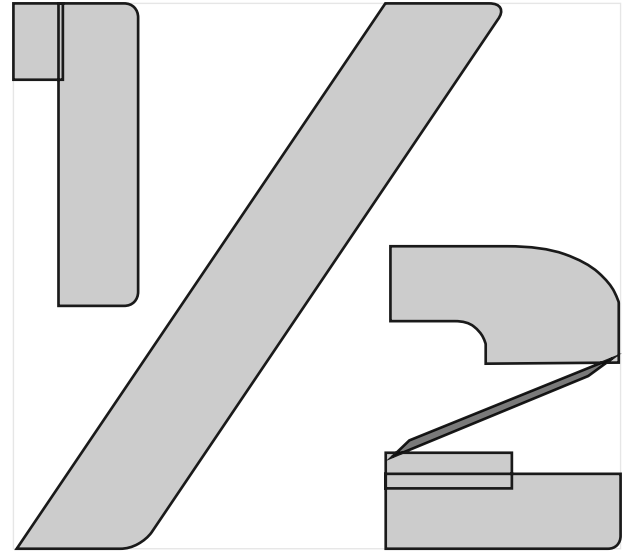
tolerance: 0.38

Problems: underweight

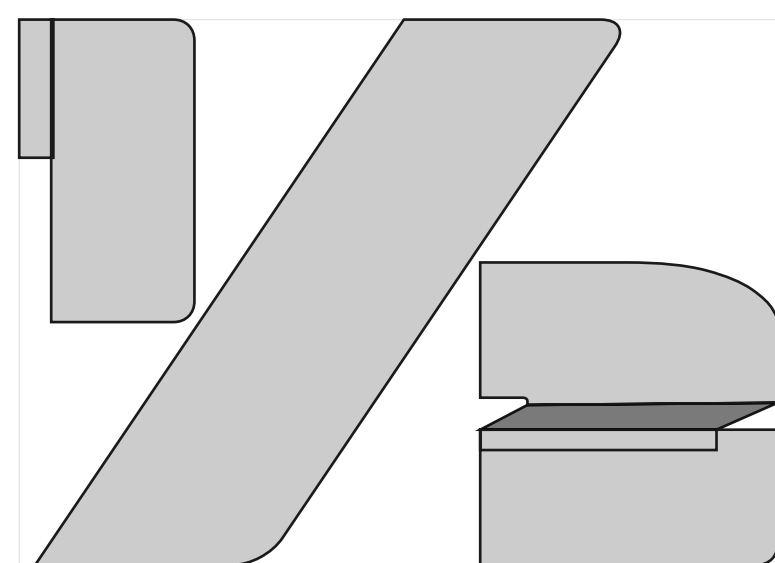
'wght=1.0'



midway interpolation



'wght=1000.0'

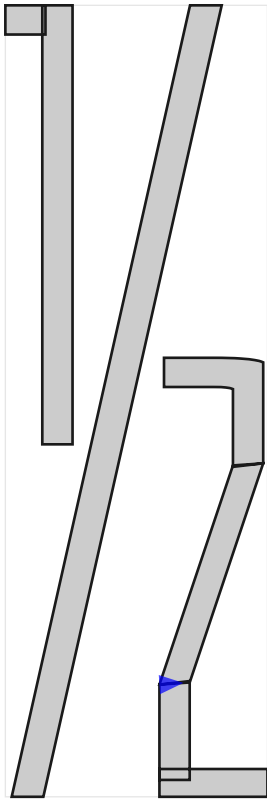


# Glyph name: onehalf

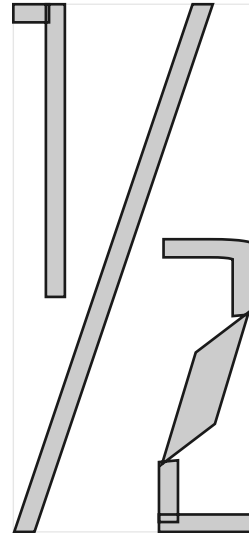
tolerance: 0.89

Problems: wrong\_start\_point

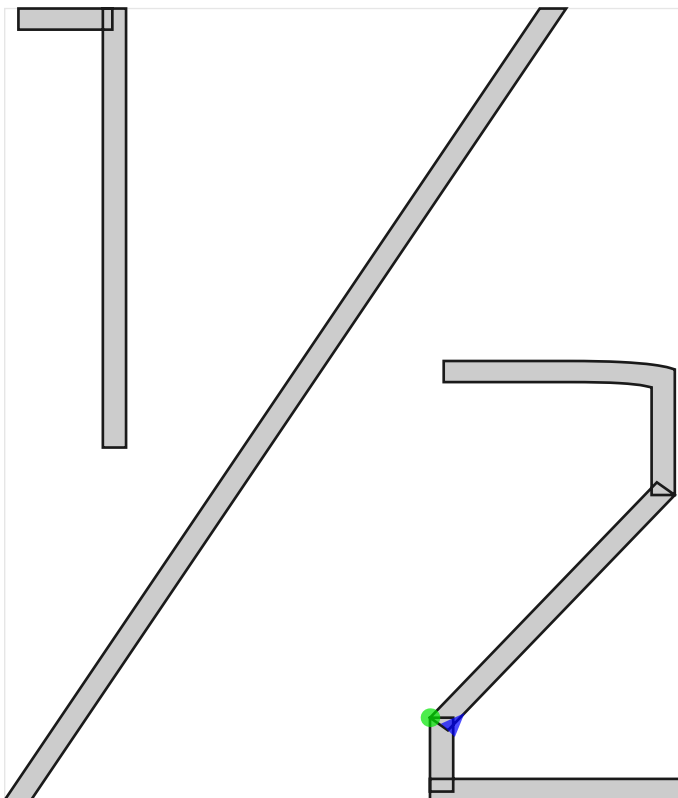
'SHRP=100.0 YEXT=100.0'



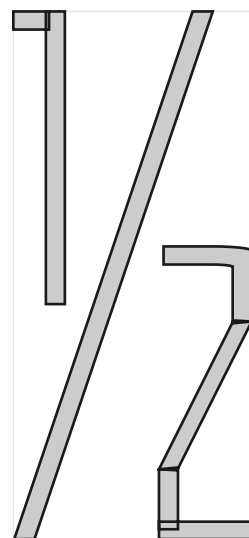
midway interpolation



'SHRP=100.0 wght=1.0'



proposed fix

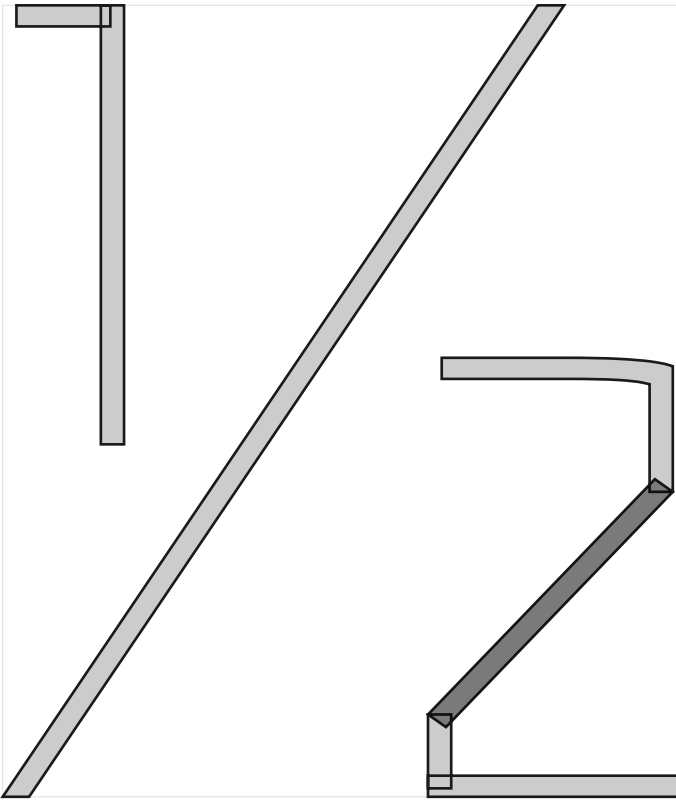


# Glyph name: onehalf

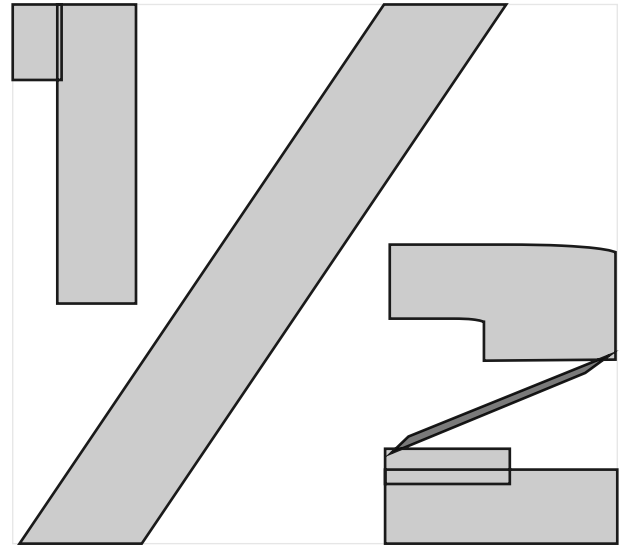
tolerance: 0.38

Problems: underweight

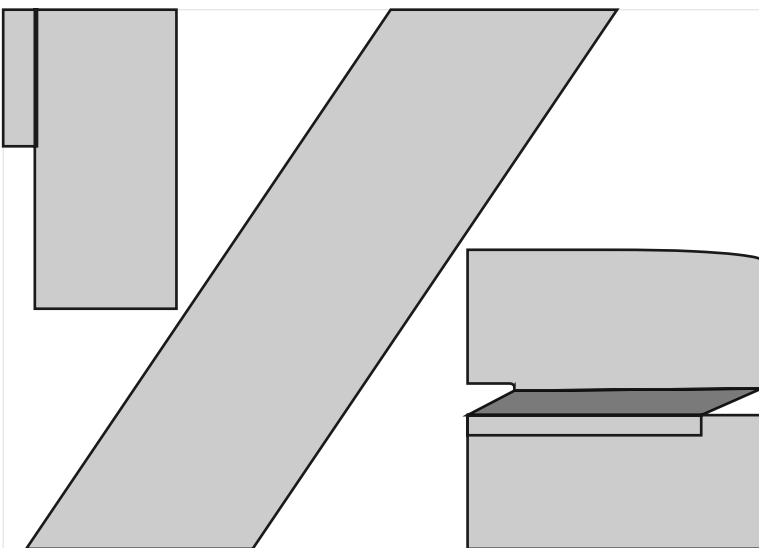
'SHRP=100.0 wght=1.0'



midway interpolation



'SHRP=100.0 wght=1000.0'



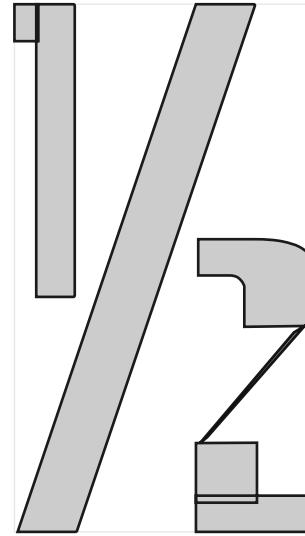
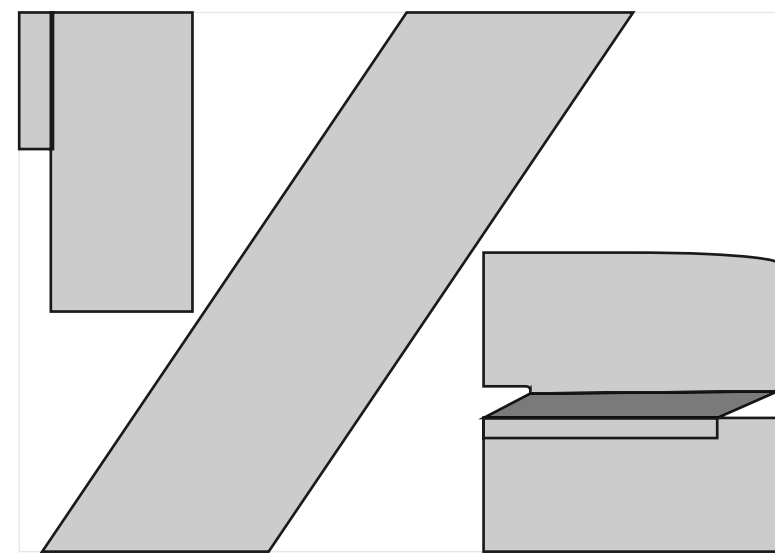
# Glyph name: onehalf

tolerance: 0.26

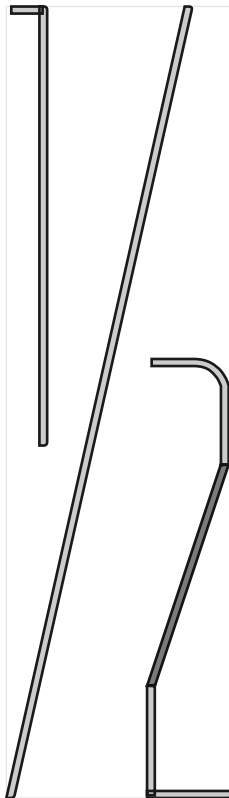
Problems: underweight

'SHRP=100.0 wght=1000.0'

midway interpolation



'YEXT=100.0 wght=1.0'



# Index

33 f\_f\_l  
30 f\_l  
42 onehalf  
  3 quotedblleft  
16 two  
19 two.inferior  
13 two.onum  
26 two.superior  
36 uni2154  
23 uni2156  
  6 z  
  9 z.ss01



# Table of contents

3	quotedblleft
6	z
9	z.ss01
13	two.onum
16	two
19	two.inferior
23	uni2156
26	two.superior
30	f_l
33	f_f_l
36	uni2154
42	onehalf