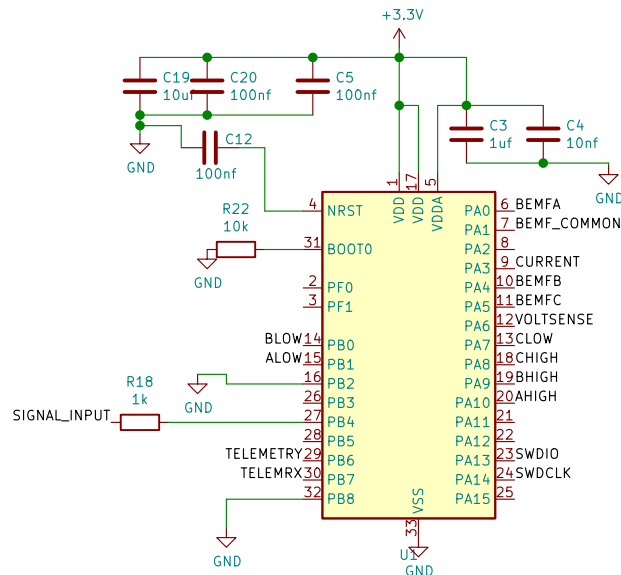
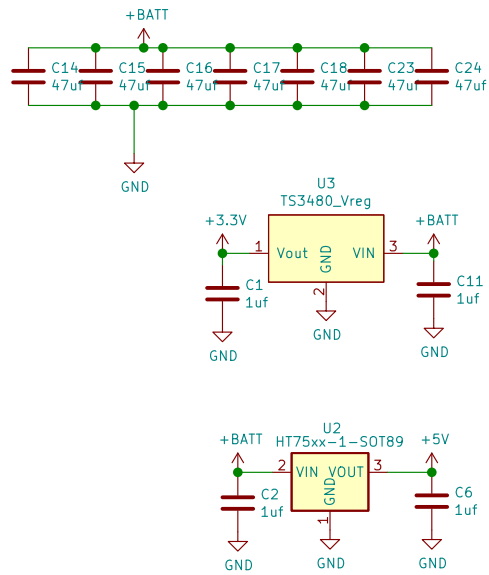
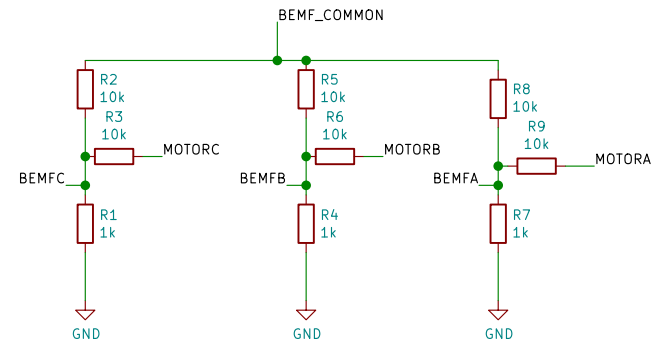
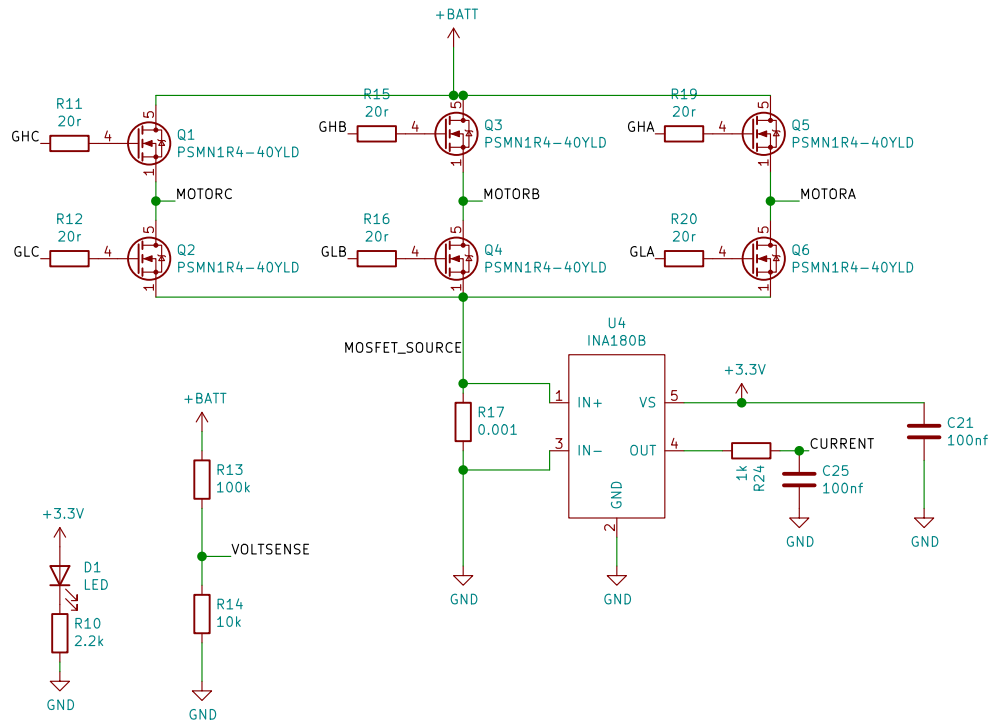
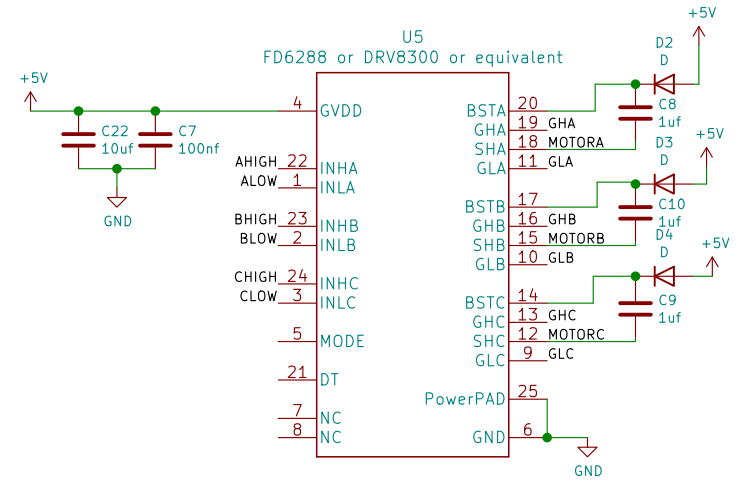


2-6S ESC SCHEMATIC



32 PIN 5x5 QFN, STM32F051 / L431, GIGADEVICES E230 / F350, ARTERY F421, CKS32F051



PB2 / PB8 attached to ground to allow compatibility with l431 footprint
All other MCU's can use PB2 PB8 as GPIO

Sheet: /

File: standard_esc.sch

Title: AM32 / Btheli32 Typical ESC. HARDWARE GROUP B (AM32REF, IFLIGHT, AIKON, TMOTOR)

Size: A4

Date:

KiCad E.D.A. eeschema 5.1.12-84ad8e8a8692ubuntu20.04.1

Rev: 1.1

Id: 1/1