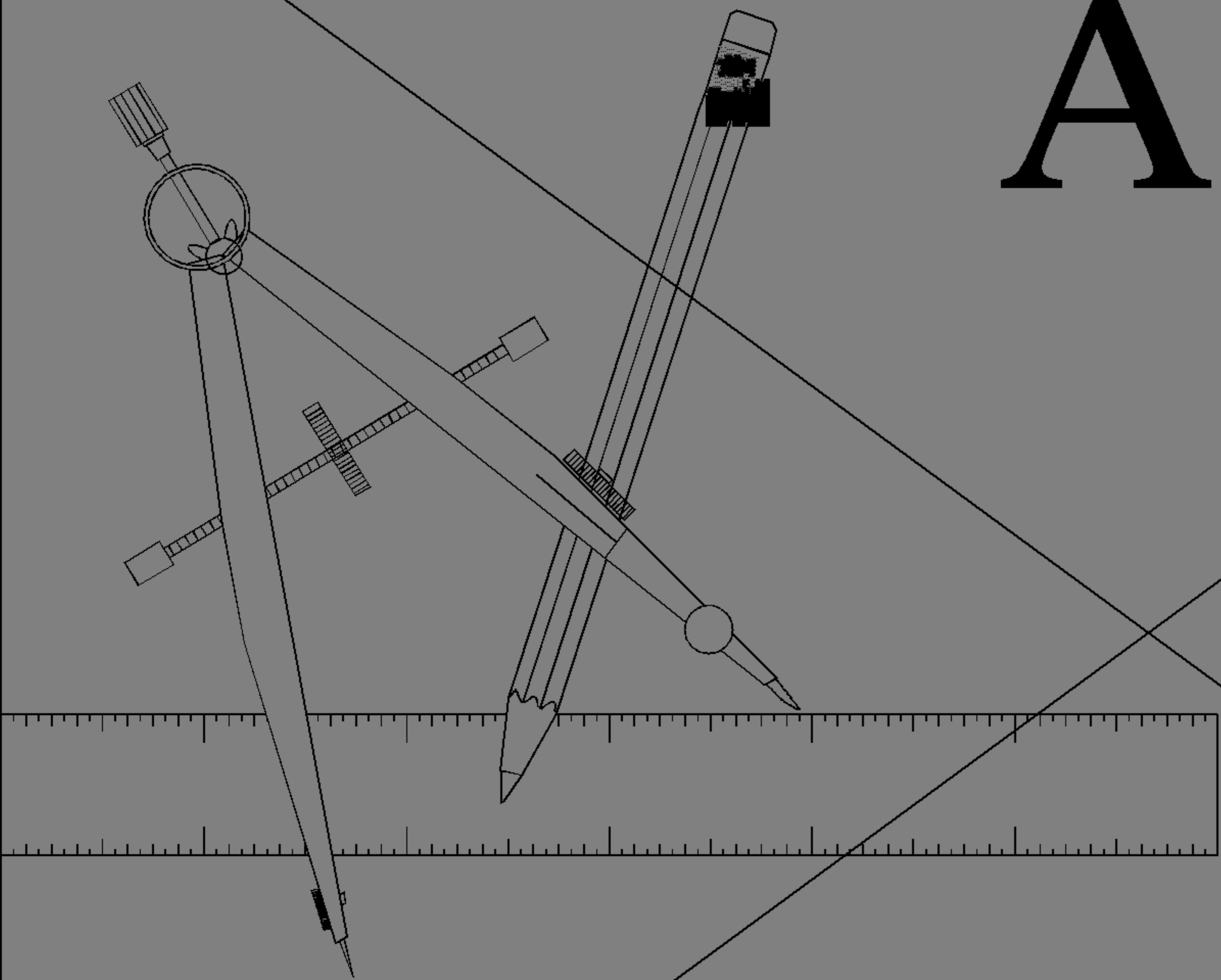


A



1040 U.S. Individual Income Tax Return 1986

John M. Smith
432 Harper Pl.
Jersey City, NJ 07310

Single

Wages, salaries, etc. \$3,241

Adjusted Gross Income \$3,241

Total Tax \$0

Line	Description	Amount
7	Wages, salaries, etc. (attach Form(s) W-2)	3,241
8	Interest income (also attach Schedule B if over \$400)	0
9a	Distributions (also attach Schedule D if over \$400)	0
9b	Exclusion	0
10	Taxable amount, if any, from the worksheet on page 9 of instructions	3,241
11	Alimony received	0
12	Business income or (loss) (attach Schedule D)	0
13	Capital gain or (loss) (attach Schedule D)	0
14	40% of capital gain distributions not reported on Form 1099 (see page 9 of instructions)	0
15	Other gains or (losses) (attach Form 4797)	0
16	Fully taxable pensions, IRA distributions, and annuities not reported on Form 1099	0
17a	Other pensions and annuities, including rollovers. Total reported (Form 1099)	0
17b	Exclusion	0
18	Rents, royalties, partnerships, estates, trusts, etc. (attach Schedule E)	0
19	Farm income or (loss) (attach Schedule F)	0
20a	Unemployment compensation (attach Form 1042)	0
20b	Total received	0
21a	Social security benefits (see page 10)	0
21b	Exclusion	0
22	Other income (list type and amount—see page 11 of instructions)	0
23	Add the amounts shown in the far right column for lines 7 through 22. This is your total income.	3,241
24	Moving expenses (attach Form 3903 or 3903F)	0
25	Employer business expenses (attach Form 2106)	0
26	IRA deduction, from the worksheet on page 12	0
27	Keogh retirement plan and self-employed SEP deduction	0
28	Penalty on early withdrawal of savings	0
29	Alimony paid (report unit rate and number of months)	0
30	Deduction for a married couple when both work (attach Schedule W)	0
31	Add lines 24 through 30. This is your total adjustments.	0
32	Subtract line 31 from line 23. This is your adjusted gross income. If this line is less than \$1,000 and a "marital deduction" is allowed, attach Form 1041.	3,241

Kofax Test Image

Kofax Image Products.
3 Jenner St.
Irvine, CA 92718
TEL: (714)-727-1733
FAX: (714)-727-3144

Kofax test print 30pt Bold Italic

Kofax test print 24pt CGTimes Bold

Kofax test print 18pt CGTimes

Kofax test print 18pt Park Avenue

Kofax test print 12pt CGTimes

Kofax test print 10pt CGTimes Italic

Kofax test print 8pt Univers

Kofax test print 6pt Univers Italic

Kofax test print 4pt Univers

