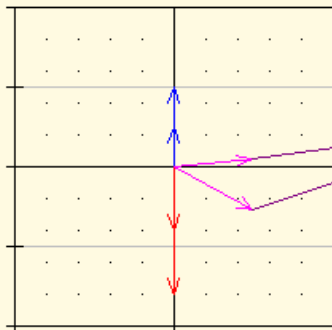


Frequency - 60 Hz;
 iT.i - 0.664 / 63.1°
 iR.i - 0.3
 iL.i - 2.39 / -90°
 iC.i - 2.99 / 90°
 V1.i - 0.664 / -117°
 VSource.v - 120



Frequency - 30. Hz;60 Hz;

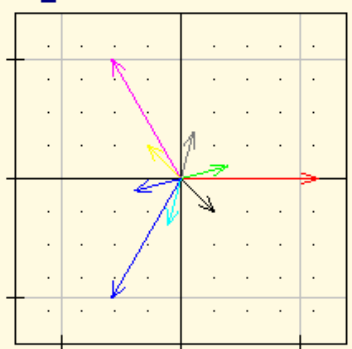
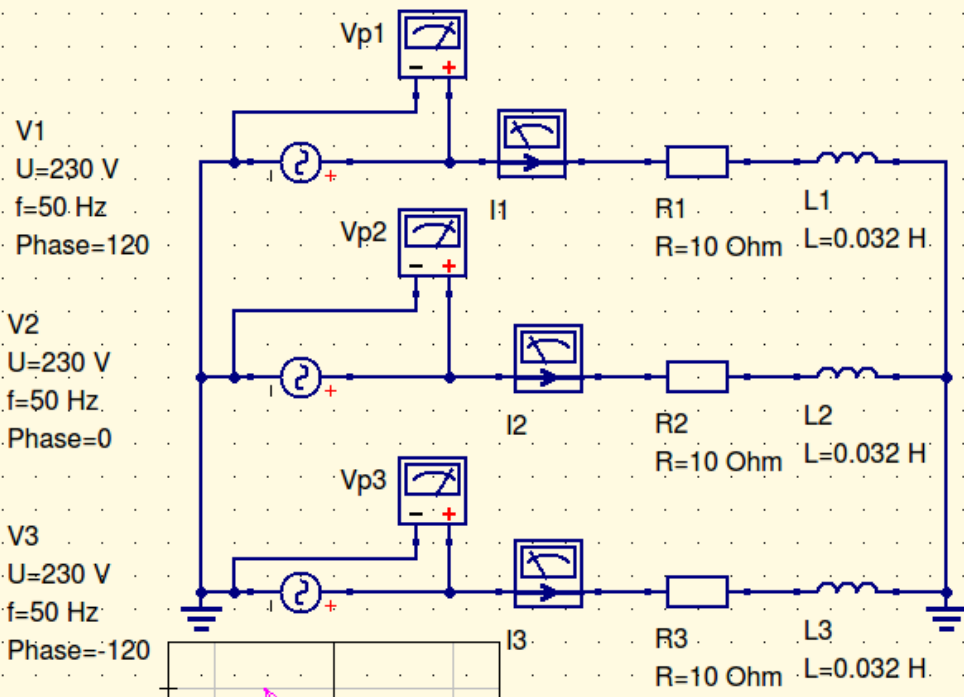
Zl.Ohm
 Zc.Ohm
 iT.i

acfrequency: 60
 iT.i: 0.3+j0.592

acfrequency: 30
 iT.i: 0.3-j3.29

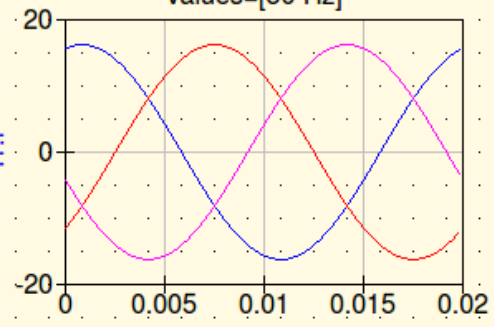
ac simulation

AC1
 Type=list
 Values=[60 Hz;30 Hz]



ac simulation

AC1
Type=const
Values=[50 Hz]



- Frequency - 50 Hz;
- Vp3.v - 230 / -120°
- Vp2.v - 230
- Vp1.v - 230 / 120°
- V3.i - 16.2 / 14.8°
- V1.i - 16.2 / -105°
- V2.i - 16.2 / 135°
- I1.i - 16.2 / 74.8°
- I2.i - 16.2 / -45.2°
- I3.i - 16.2 / -165°

Frequency - 50 Hz;
Time
Time
Time