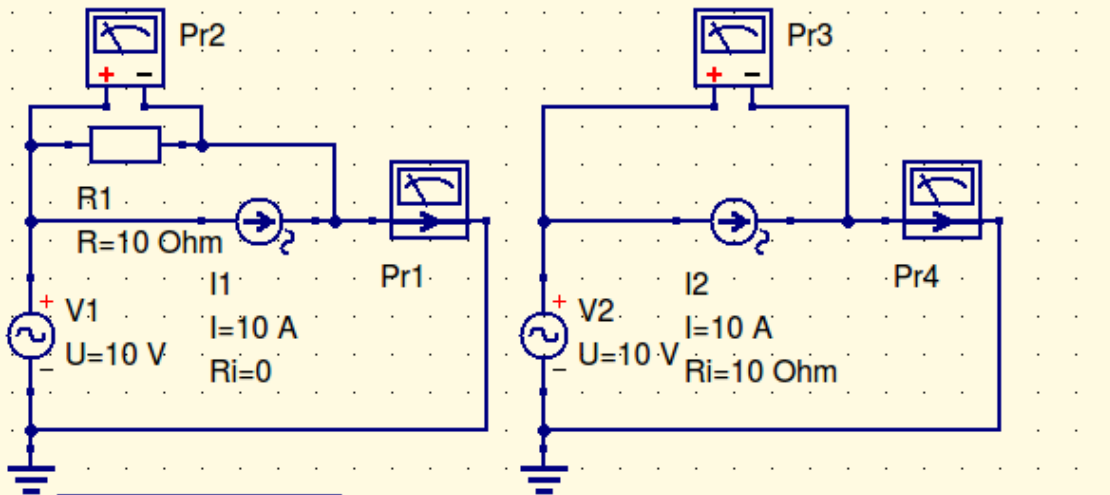


dc simulation

DC1	number	Pr1.I	Pr2.I	Pr3.V	Pr4.V	Pr6.Ohm	Pr8.Ohm	Pr9.Ohm
1		1.5	1.5	10	10	5e+03	10	50



ac simulation

AC1
 Type=const
 Values=[50 Hz]

acfrequency	Pr1.i	Pr2.v	Pr4.i	Pr3.v
50	11	10	11	10

