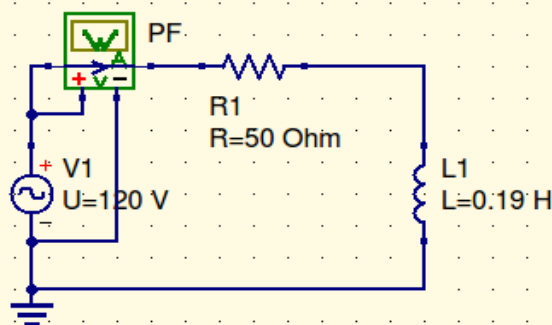


number	P.W
1	2



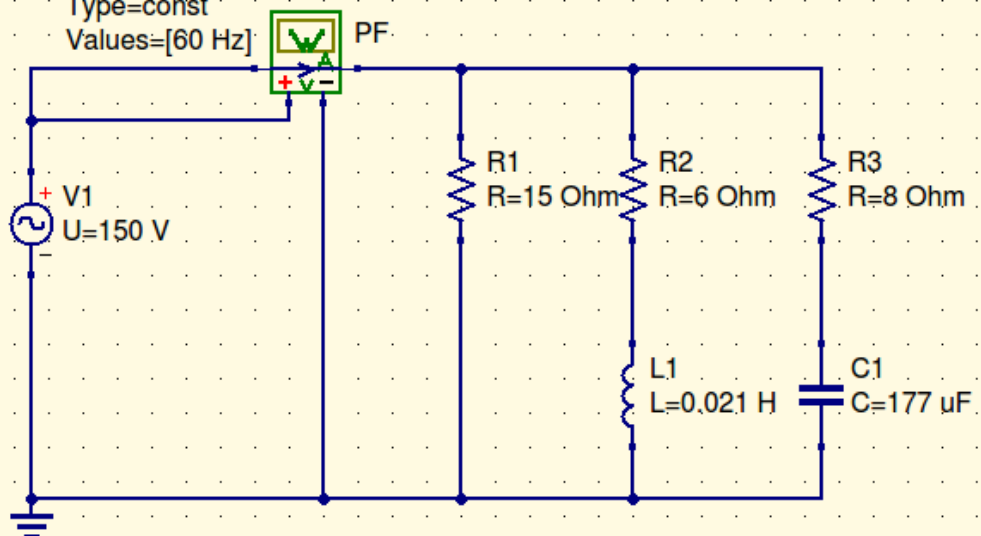
ac simulation

AC1
Type=const
Values=[60 Hz]

acfrequency	PF.VA	PF.W	PF.var	PF.FP
60	165 / 55.1°	94.4	135	0.572

ac simulation

AC1
Type=const
Values=[60 Hz]



acfrequency	PF.i	PF.v	PF.VA	PF.W	PF.var	PF.FP
60	23.3-j4.25	150	3.49e+03+j637	3.49e+03	637	0.984